

4'-0" x 6'-6" TRAFFIC WATER VAULT X 3'-6" DEEP

NOTES:

HANDHOLE DESIGNED IN ACCORDANCE WITH AASHTO H-20-44 TRAFFIC BRIDGE LOADING USING 5,500 PSI [37.92MPa] COMPRESSIVE STRENGTH CONCRETE AND 60,000 PSI [413.2MPa] YIELD STRENGTH ASTM A-706 STEEL REINFORCEMENT PER CALC. #319511.
COVER DESIGNED FOR H-20-44 TRAFFIC LOADING. FOR USE IN OFF STREET LOCATIONS PER CALC. #31832.

HANDHOLE TO BE PLACED ON A MIN. 6" BASE OF CRUSHER RUN FOR EASE OF INSTALLATION AND EVEN LOAD DISTRIBUTION.

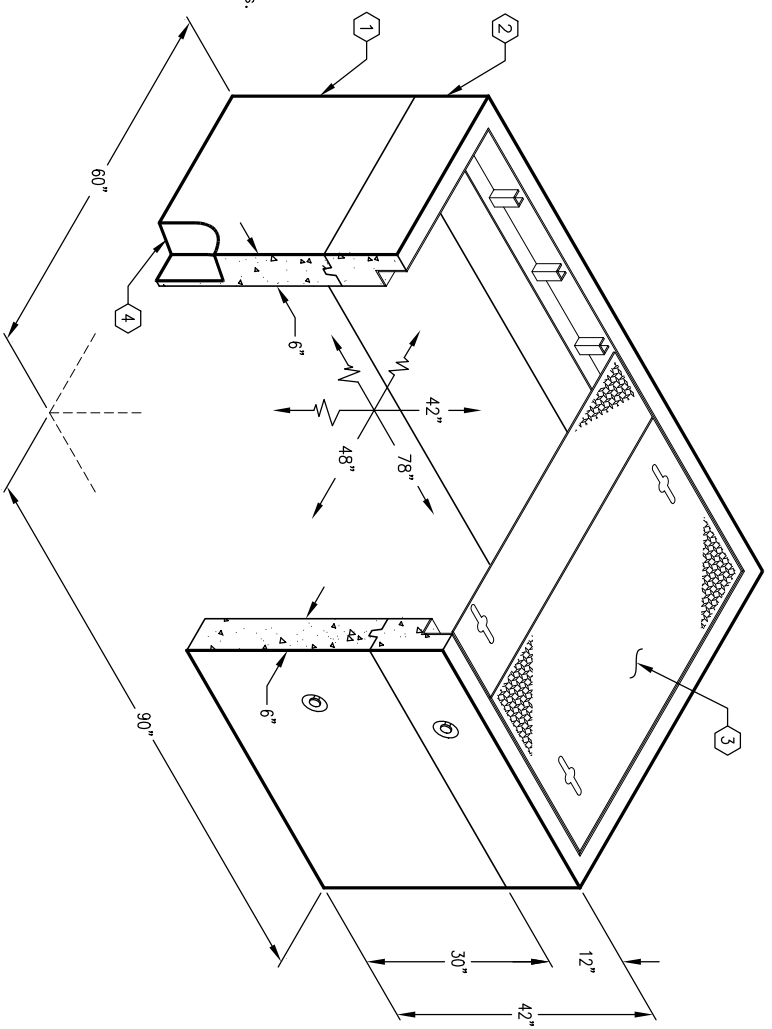
ORDERING INFORMATION:

K466-FH42-08T FOR ASSEMBLY AS SHOWN.
TOTAL WEIGHT OF ASSEMBLY SHOWN IS 6,775 lbs.

- PB466-L30-08, 30" LOWER SECTION, WT. 4,325 lbs.
- PB466-T12-08T, 12" TOP SECTION, W/ F466-PB-ANG
- ANGLE FRAME CAST-IN, WT. 1,750 lbs. (SC466-TRD) W/ (5) LOOSE H-BEAM (CA466-TRW, 3 PIECE TRAFFIC COVER (SCB466-2097), (12) 1/2"-13NC x 2 1/2" S.S.H.H. BOLT FOR BOLT DOWN, (6) FLUSH LIFT HANDLE, PAINTED RED, WT. 700 lbs.
- 12" x 12" PIPE SLOT K.O. x 5" DEEP, LOCATE AS FOLLOWS: LOWER SECTION (2) SHELL MTD.

GENERAL NOTES:

- Minimum soil bearing capacity is hereby assumed to be 2000 PSF unless otherwise documented by a geotechnical report that shall be provided to Jensen Precast by the end user. Jensen Precast shall not be held responsible for the soil bearing capacity. Installation of Manholes, Vaults, Handholes, Meter Boxes etc. will be as per Jensen installation procedures.
- Structural modification to the Jensen line of products is not permitted without prior written approval from Jensen Engineering Department.
- Do not scale the drawings, verify all dimensions including rough openings, if any discrepancies are found, notify the Jensen Engineer immediately.
- The Jensen Engineer will interpret the intent of the drawings in case of possible conflict or discrepancy.
- Permissible Variations: Dimensional Tolerances – The length, width, height, or dia. measurements of the structure when measured on the inside surfaces shall not deviate from design dimensions by more than the following:
Dimensions: Tolerance:
0 to 5 Feet 1/4"
5 to 10 Feet 3/8"
10 to 20 Feet as agreed upon between the supplier and purchaser.
- Squareness Tolerance: The inside of the precast concrete component shall be square as determined by diagonal measurements. The difference between such measurements shall not exceed the following:
Measured Length: Allowable Difference
0 to 10 Feet 1/2"
10 to 20 Feet 3/4"
20 Feet and over as agreed upon between the supplier and purchaser.



MINIMUM EXCAVATION SIZE:
6'-0" x 8'-6" x DEPTH REQD.

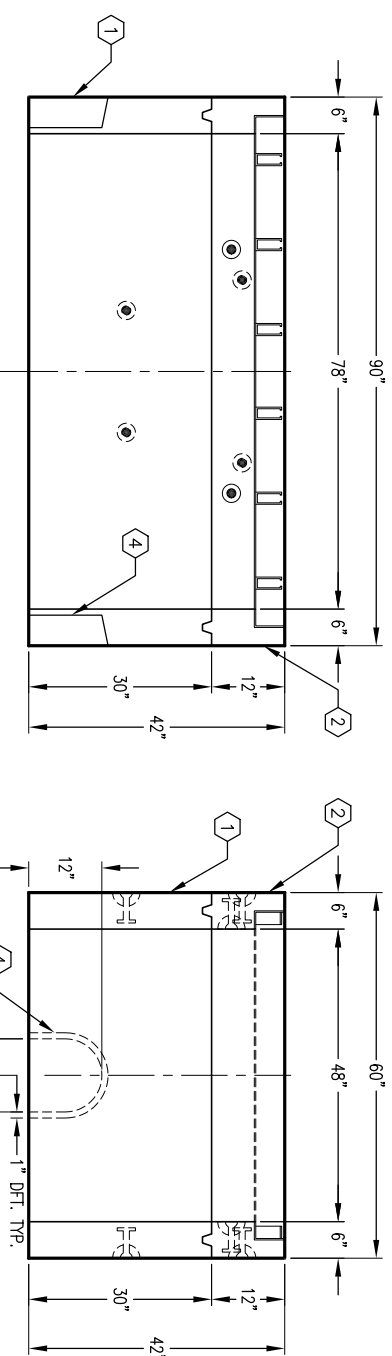
K466-FH42-08T

PER CUSTOMER SPECS.

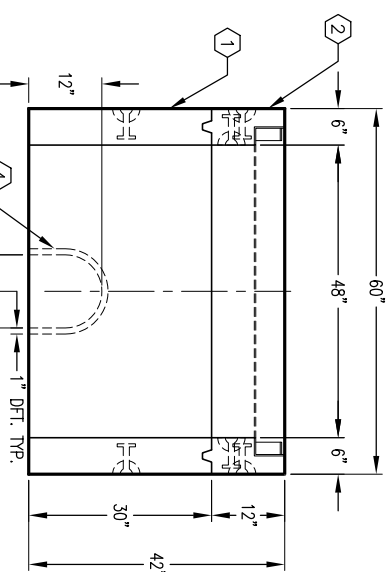
03-01-02

JENSEN
PRECAST

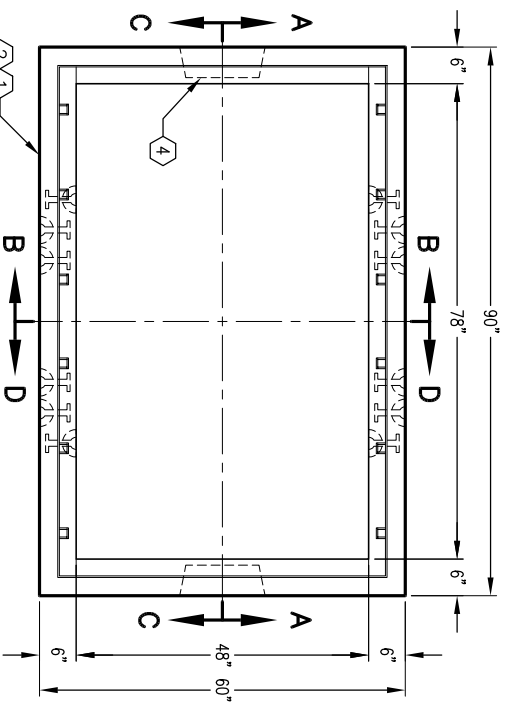
AUTOCAD REL. 14



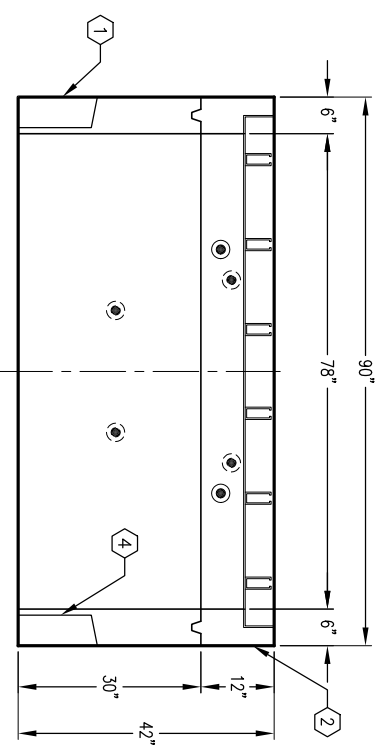
SECTION A-A



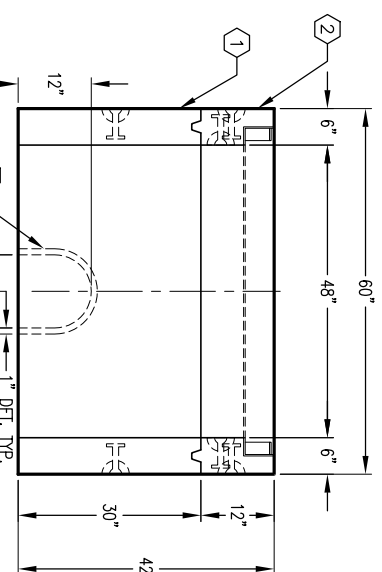
SECTION B-B



PLAN VIEW



SECTION C-C



SECTION D-D

JENSEN
PRECAST

K466-FH42-08T

PER CUSTOMER SPECS.

03-01-02

#	DATE	DESCRIPTION	BY