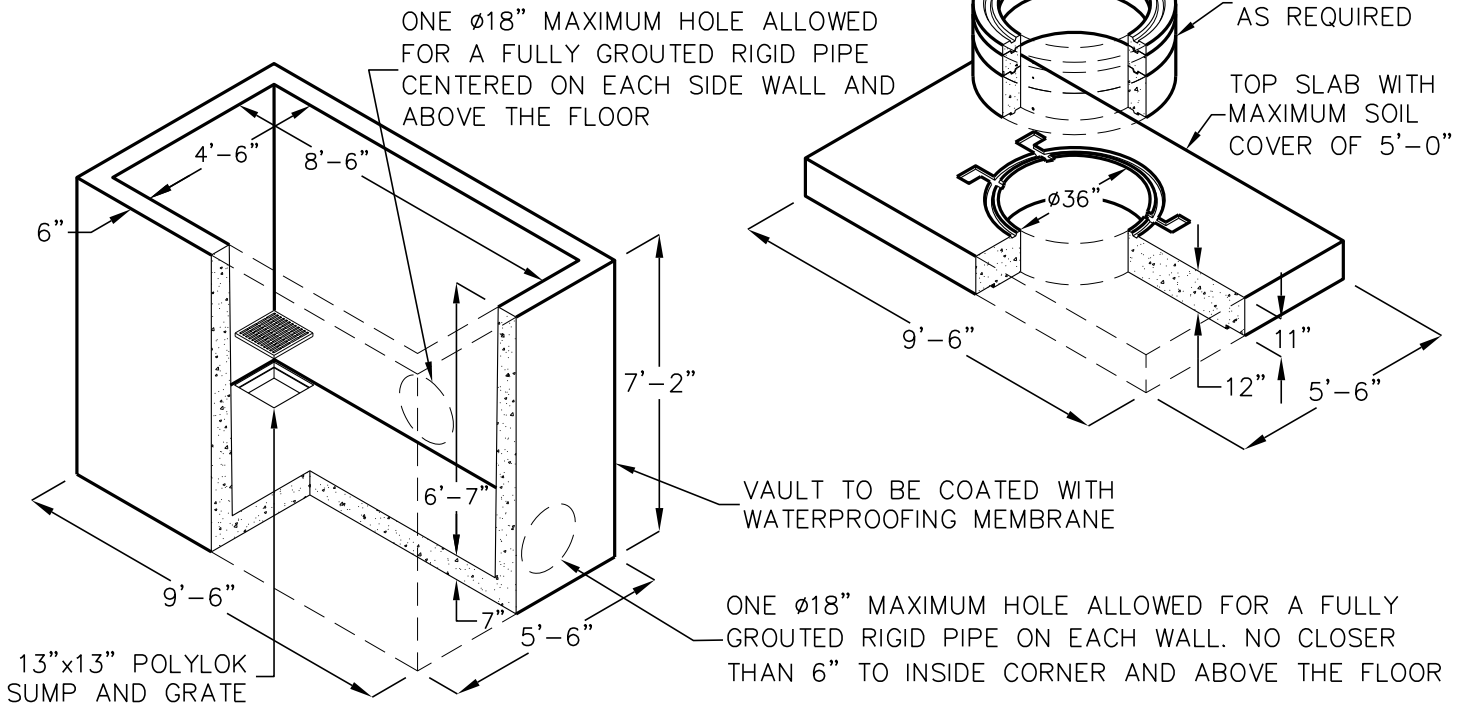
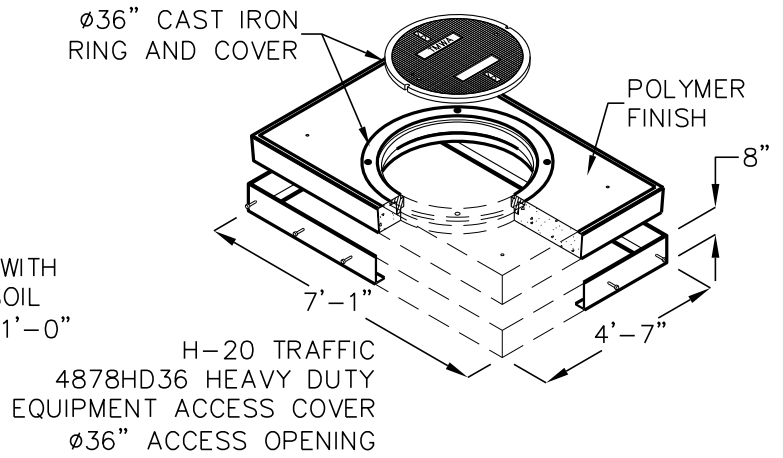
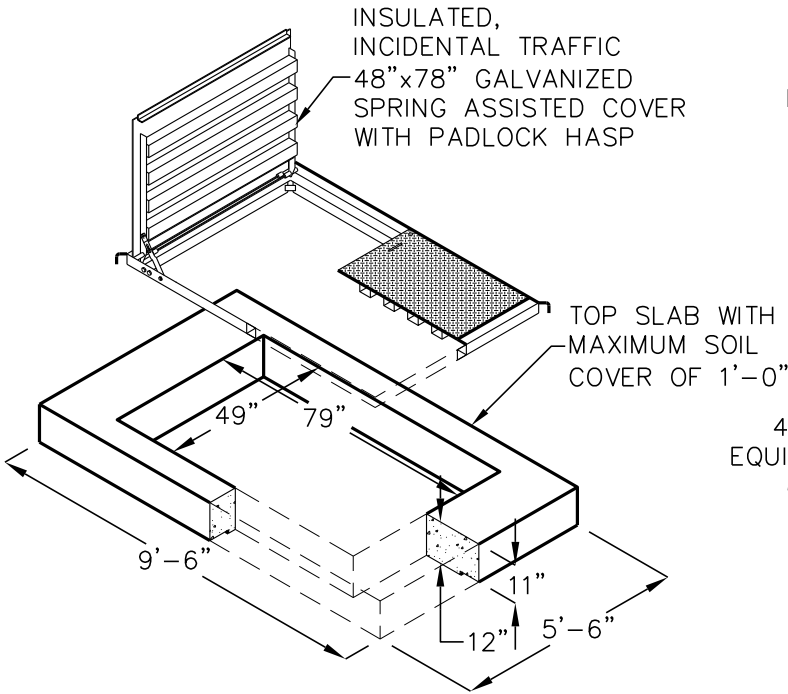


4686-2 TMWA
4'-6"x8'-6"x6'-6"
(NOMINAL INSIDE DIMENSIONS)



VAULT DESIGN LOAD: H-20 TRAFFIC WITH TOP OF WALL AT A MAXIMUM OF 5'-11" BELOW FINISHED GRADE AND WATER TABLE BELOW BOTTOM OF STRUCTURE.

VAULT INCLUDES GALVANIZED LADDER, AND LADDER-UP PER CURRENT TWMA SPECIFICATIONS.

FOR COMPLETE DESIGN AND PRODUCT INFORMATION CONTACT JENSEN PRECAST.

H Jensen Precast reserves the right to make changes to product design and/or dimensions without notice. Please contact Jensen Precast whenever necessary for confirmation or advice on product design.