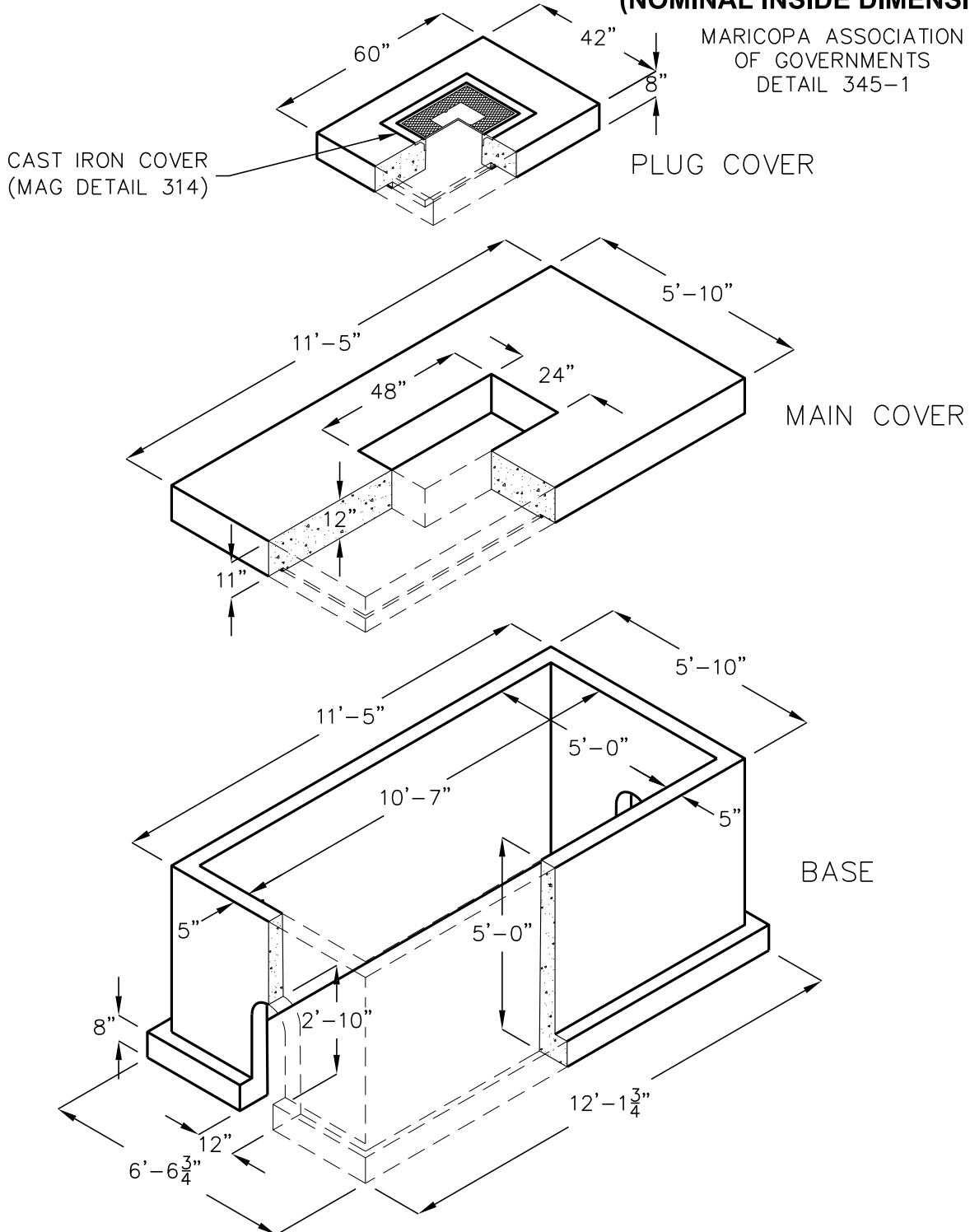


5106 WATER VAULT

5'-0"x10'-6"x5'-0"

(NOMINAL INSIDE DIMENSIONS)

MARICOPA ASSOCIATION
OF GOVERNMENTS
DETAIL 345-1



DESIGN LOAD:
 PLUG COVER- 300 PSF PEDESTRIAN
 MAIN COVER- H-20 TRAFFIC
 BASE- H-20 TRAFFIC

FOR COMPLETE DESIGN AND PRODUCT INFORMATION CONTACT JENSEN PRECAST.

B Jensen Precast reserves the right to make changes to product design and/or dimensions without notice. Please contact Jensen Precast whenever necessary for confirmation or advice on product design.