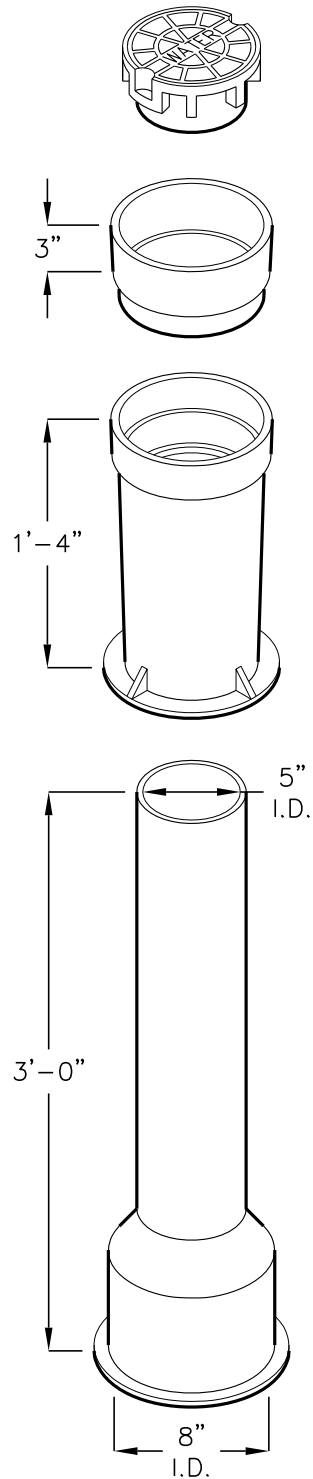


LVVWD VALVE BOX

MODEL 8040

MEETS LVVWD SPECIFICATION
PLATE #8



COMPLETE ASSEMBLY		
INCLUDES	PART #	WEIGHT
16" TOP		
36" BASE		
WATER LID	40	90 LBS.

FOR COMPLETE DESIGN AND PRODUCT INFORMATION CONTACT JENSEN PRECAST.

Jensen Precast reserves the right to make changes to product design and/or dimensions without notice. Please contact Jensen Precast whenever necessary for confirmation or advice on product design.

JENSEN
PRECAST