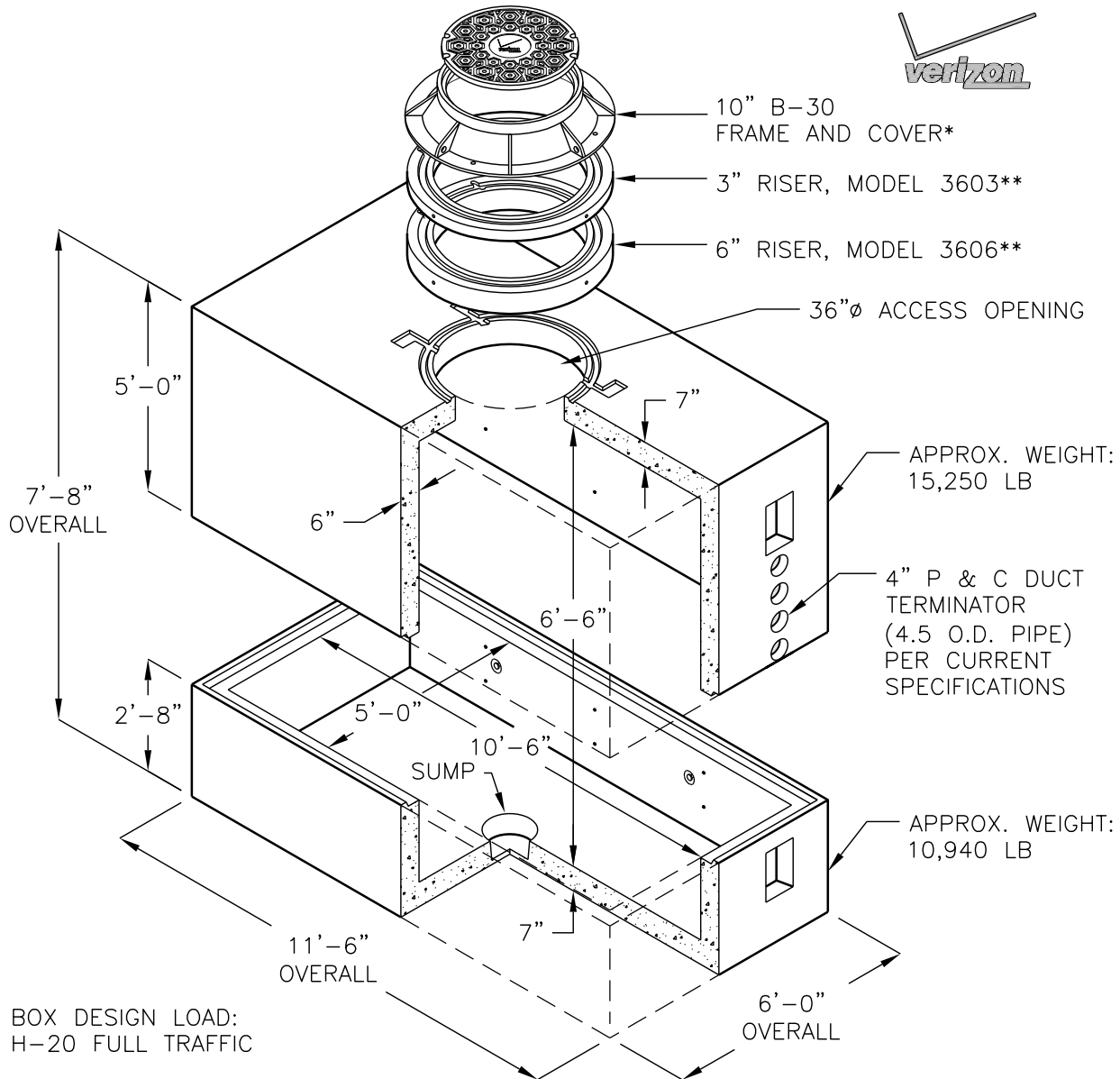


VERIZON 510-6 INTERCEPT MANHOLE

5'-0" WD. x 10'-6" LG. x 6'-6" H.
(INSIDE DIMENSIONS)

MEETS VERIZON
SPECIFICATIONS



KNOCKOUTS, DUCT TERMINATORS,
RACKING, AND LADDER PER CURRENT
VERIZON SPECIFICATIONS.

FOR COMPLETE DESIGN
AND PRODUCT INFORMATION,
CONTACT JENSEN PRECAST.

WHEN ORDERING:

THE STANDARD VERIZON 510-6 INT. KIT
INCLUDES:
VAULT TOP & BASE, B-30 COVER, 3" AND
6" GRADE RINGS, LADDER, 2 STEP RUNGS,
AND RACKING.