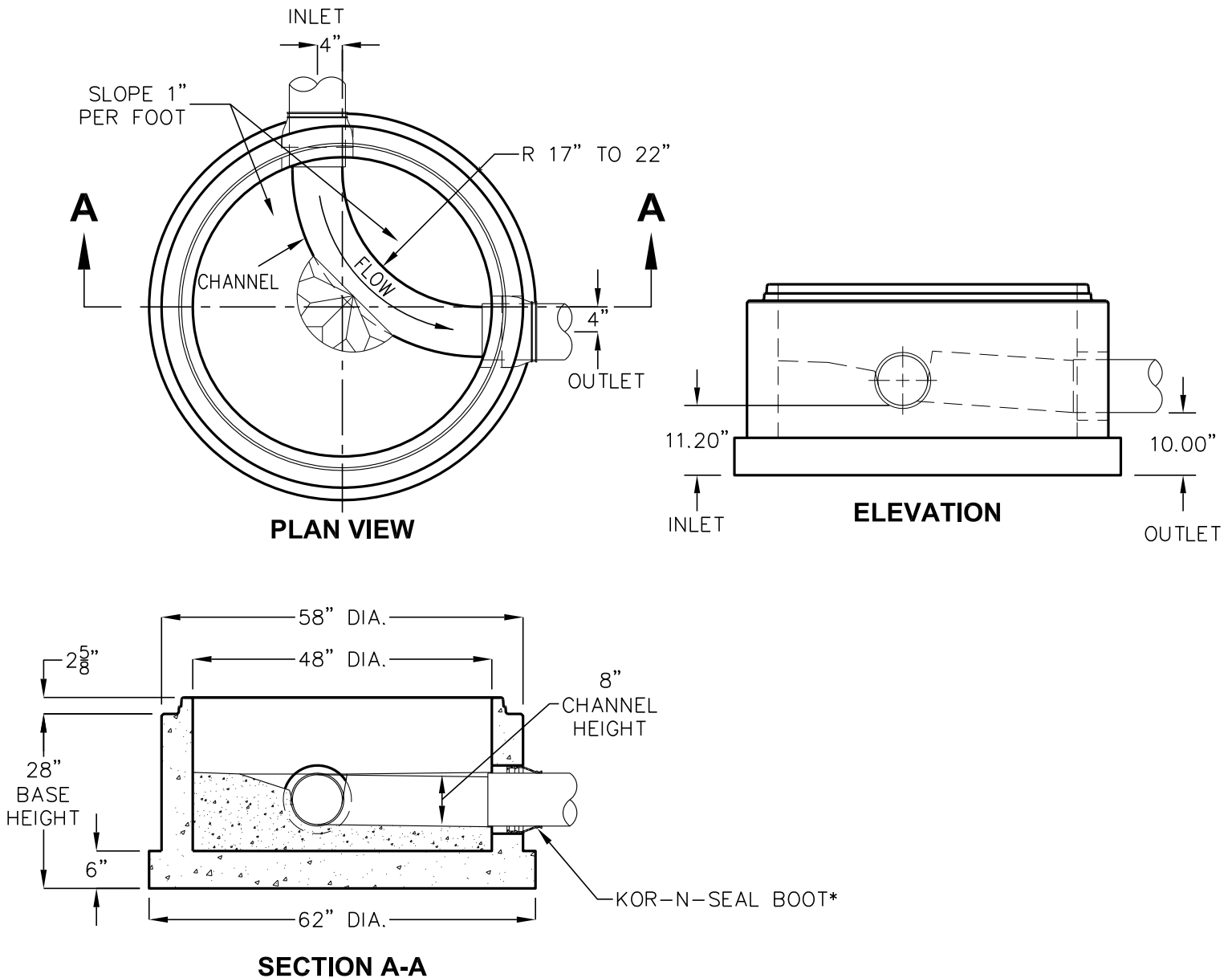


48" I.D.x5" WALL, 2 WAY, 90° LEFT CHANNEL MANHOLE BASE FOR 8" VITRIFIED CLAY PIPE



CONFORMS TO CURRENT SPECIFICATION ASTM C-478 AND AASHTO NO. M199.

FLAT TOPS AND BASE SLABS ARE DESIGNED FOR AASHTO HS-20 WHEEL LOADING.

*MEETS SPECIFICATION ASTM C-923-02, RESILIENT CONNECTORS BETWEEN REINFORCED CONCRETE MANHOLE STRUCTURES, PIPE, AND LATERALS.

FOR COMPLETE DESIGN AND PRODUCT INFORMATION CONTACT JENSEN PRECAST.

Jensen Precast reserves the right to make changes to product design and/or dimensions without notice. Please contact Jensen Precast whenever necessary for confirmation or advice on product design.

JENSEN
PRECAST