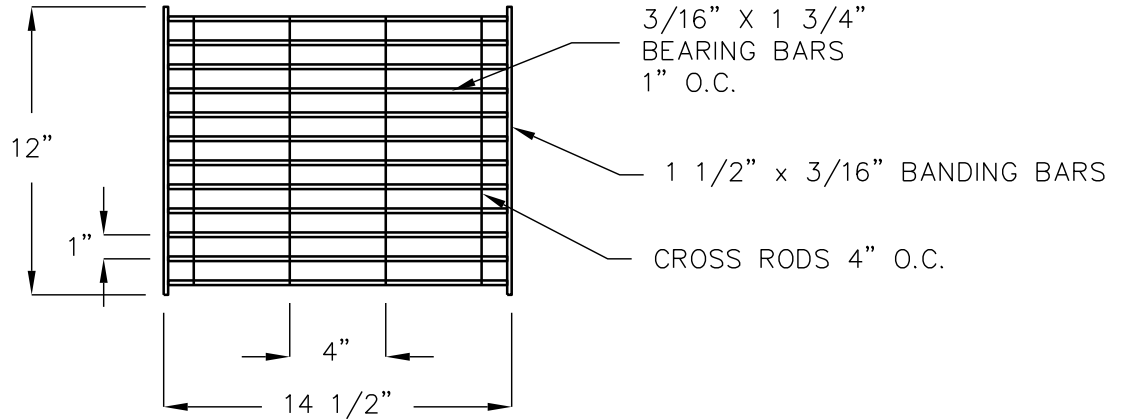


# FRAME & GRATE

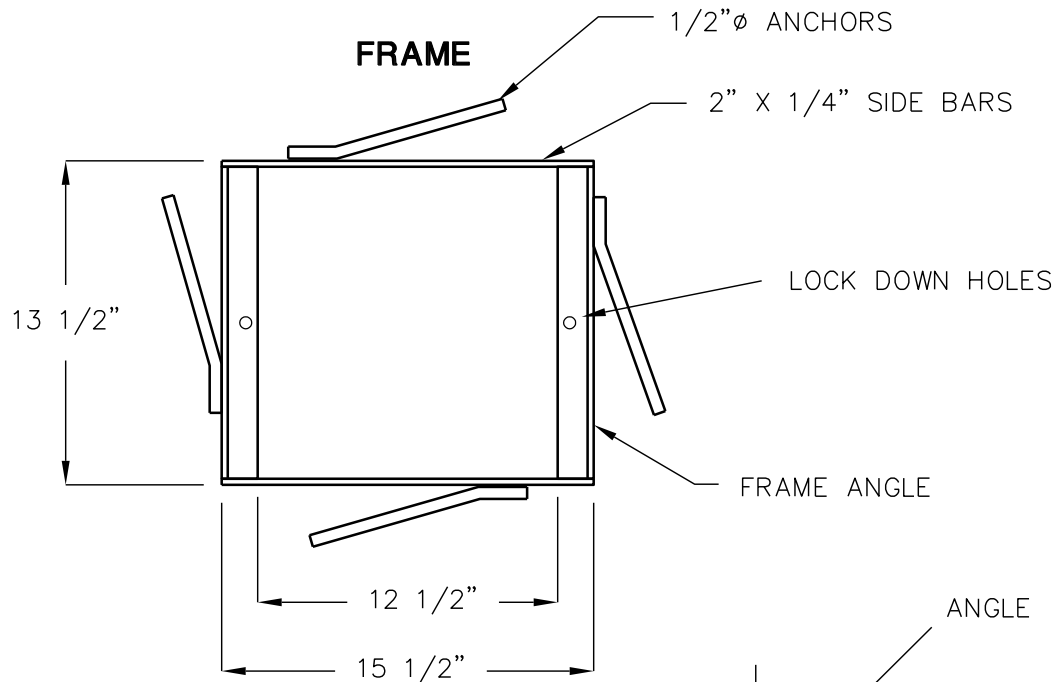
1212 DROP INLETS

H-20 TRAFFIC RATED

## GRATE



## FRAME



ANGLE

