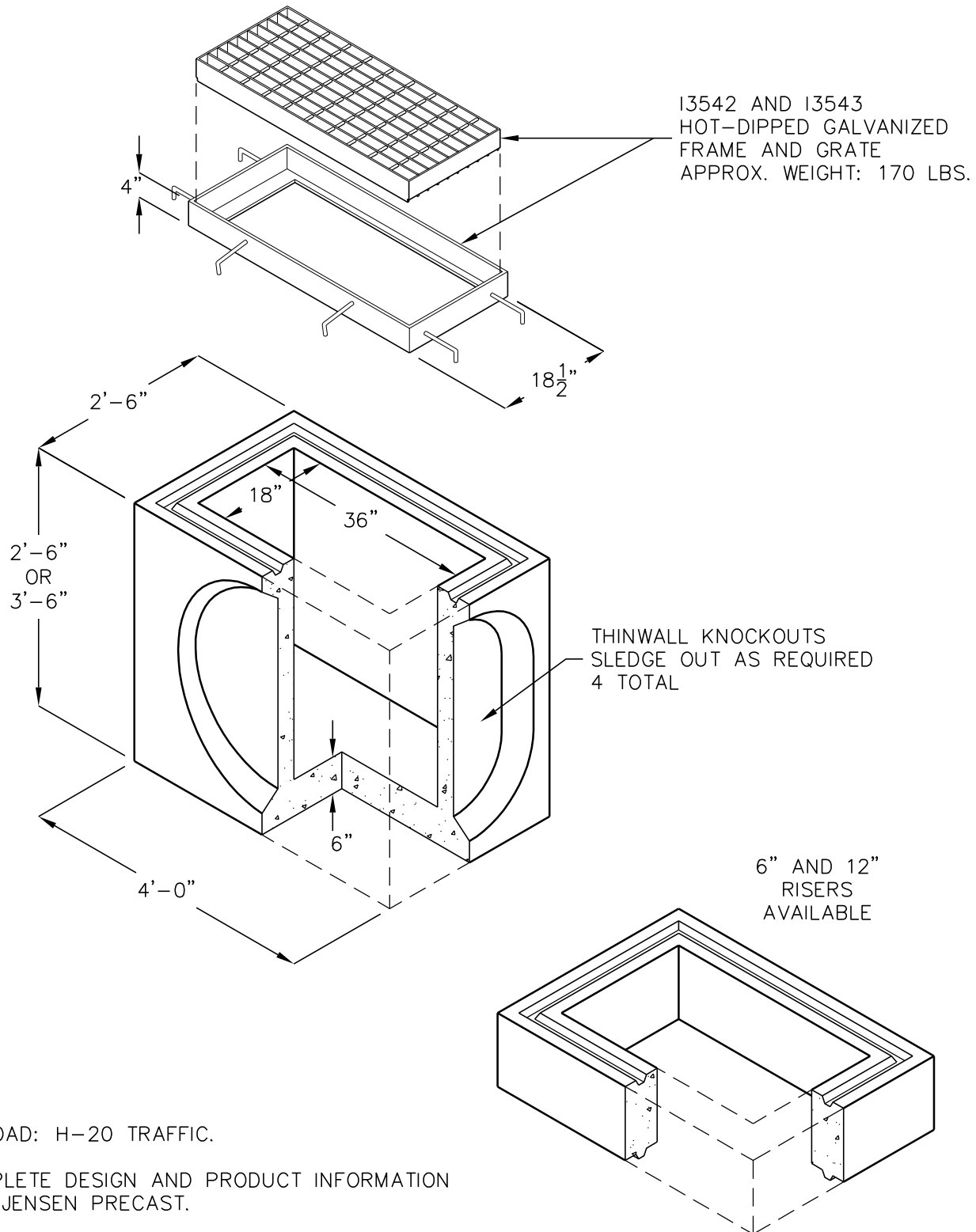


# DROP INLET 1836-C

MEETS REQUIREMENTS FOR:  
**SACRAMENTO COUNTY  
PUBLIC WORKS AGENCY**  
**TYPE C DROP INLET**

**18" X 36" I.D.**  
**(NOMINAL DIMENSIONS)**

FABRICATED FRAME AND GRATE



DESIGN LOAD: H-20 TRAFFIC.

FOR COMPLETE DESIGN AND PRODUCT INFORMATION  
CONTACT JENSEN PRECAST.