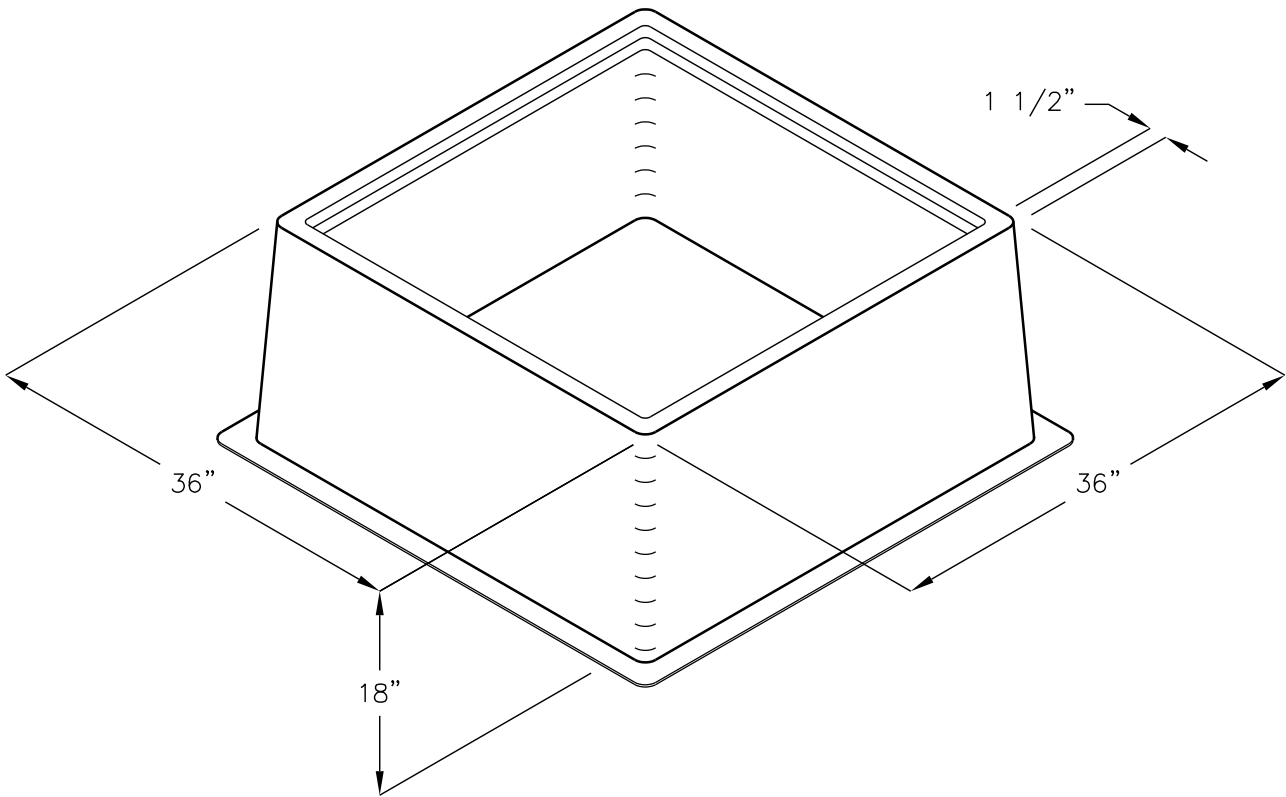


SMUD 3636-18S
SACRAMENTO MUNICIPAL UTILITY
DIST. 3'-0" W. x 3'-0" LG. x 1'-6" H.
CABLE WELL SMUD STOCK NO.
056360



FOR COMPLETE DESIGN
AND PRODUCT INFORMATION,
CONTACT JENSEN PRECAST.