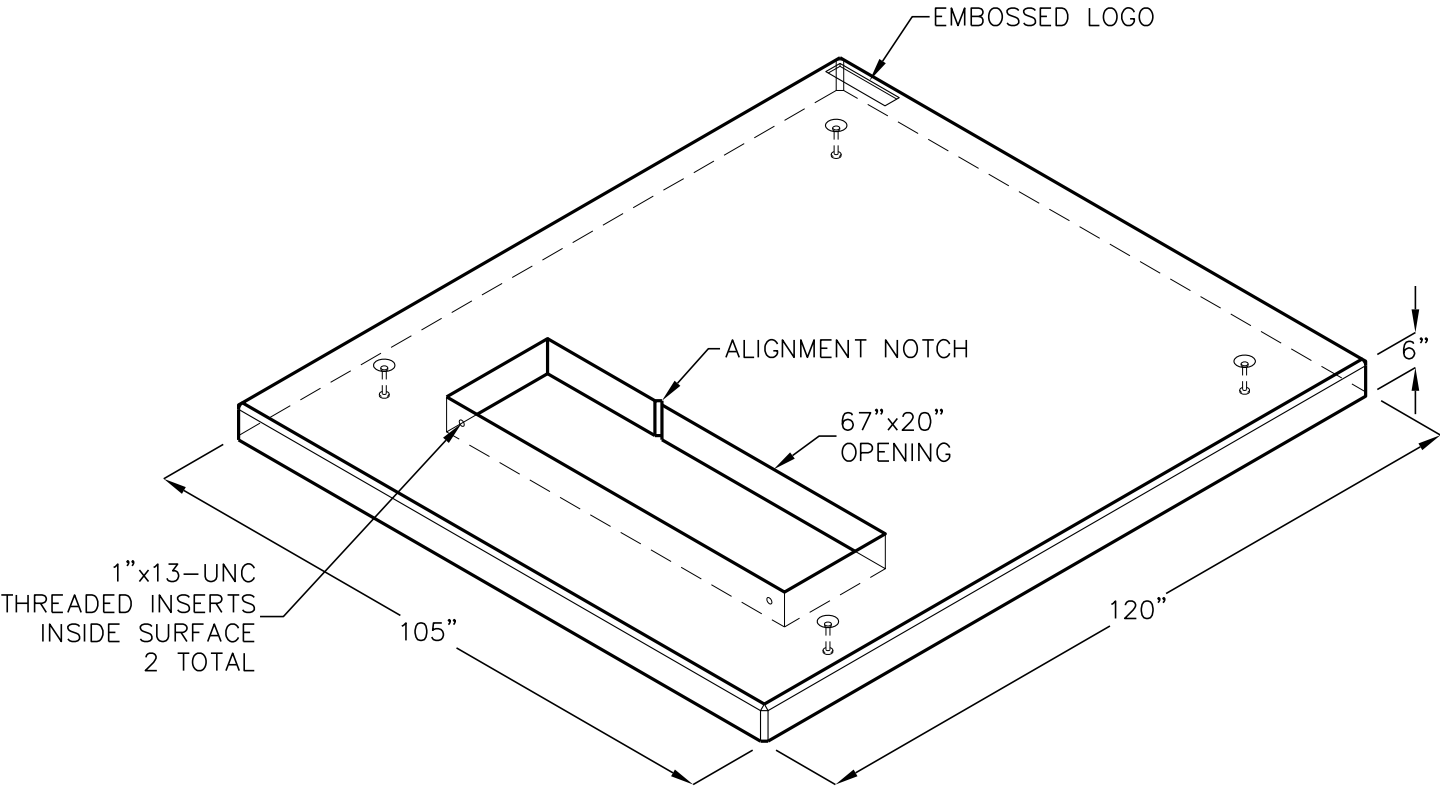


# TRANSFORMER PAD SMUD 105120

105"x120"x6"

(NOMINAL OUTSIDE DIMENSIONS)

DRAWING REF: UVD2.3A  
MODEL: PD105120SM



CONSULT JENSEN PRECAST FOR SAFE HANDLING INSTRUCTIONS.

FOR COMPLETE DESIGN AND PRODUCT INFORMATION CONTACT JENSEN PRECAST.

Jensen Precast reserves the right to make changes to product design and/or dimensions without notice. Please contact Jensen Precast whenever necessary for confirmation or advice on product design.

