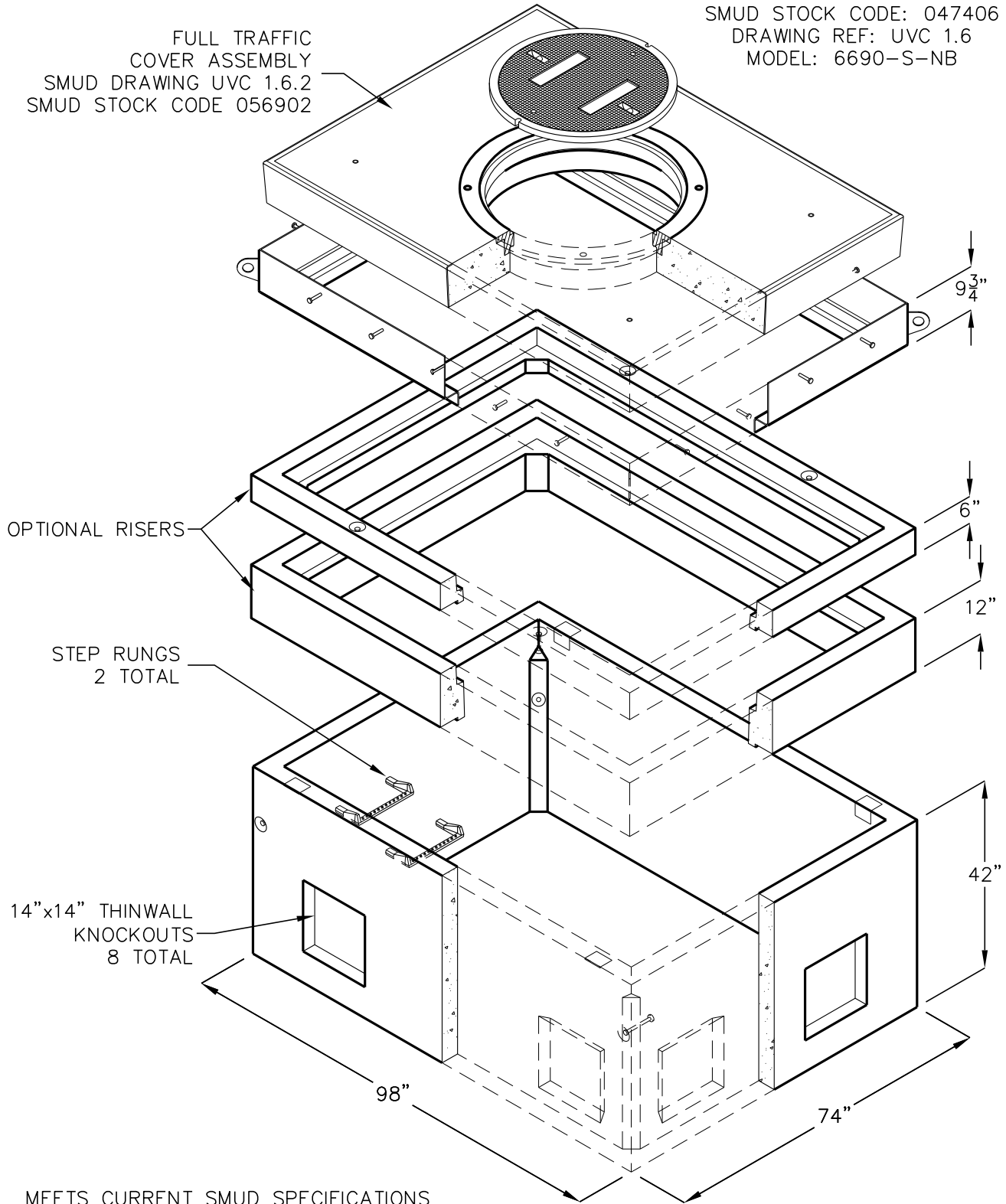


SMUD 6690-FVT

66"x90"x42"
(NOMINAL INSIDE DIMENSIONS)

SMUD STOCK CODE: 047406
DRAWING REF: UVC 1.6
MODEL: 6690-S-NB



MEETS CURRENT SMUD SPECIFICATIONS

CONSULT JENSEN PRECAST FOR SAFE HANDLING INSTRUCTIONS.

FOR COMPLETE DESIGN AND PRODUCT INFORMATION CONTACT JENSEN PRECAST.

Jensen Precast reserves the right to make changes to product design and/or dimensions without notice. Please contact Jensen Precast whenever necessary for confirmation or advice on product design.

