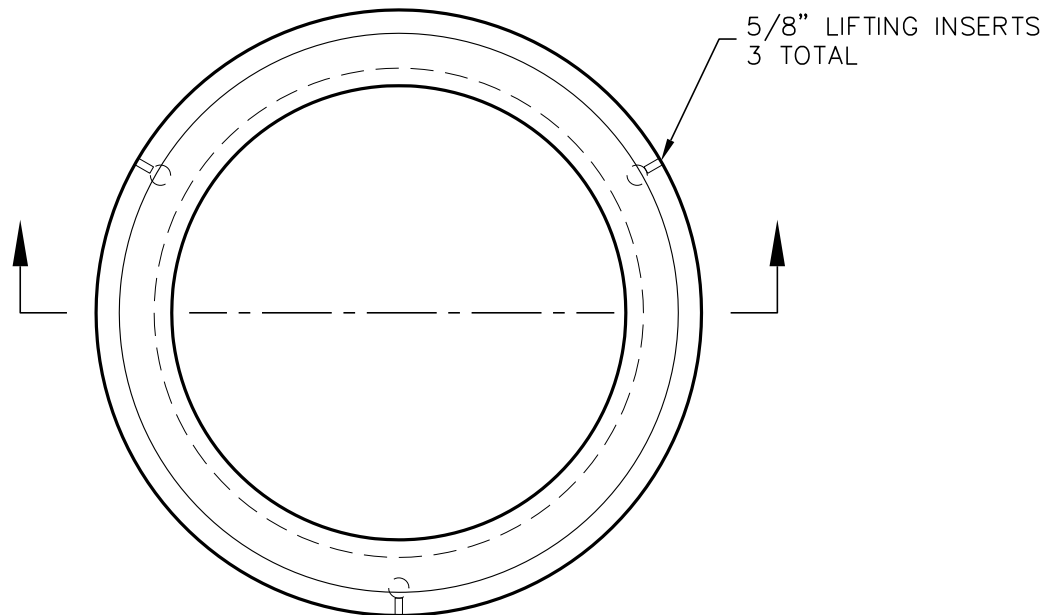
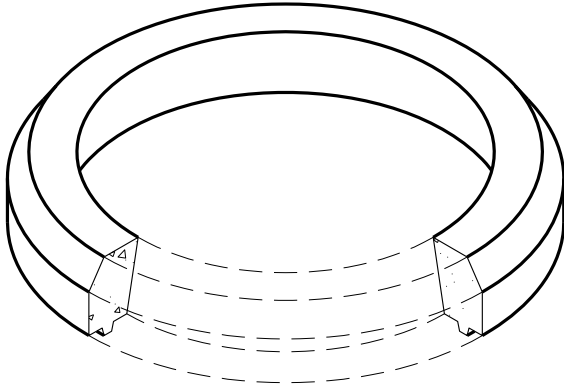
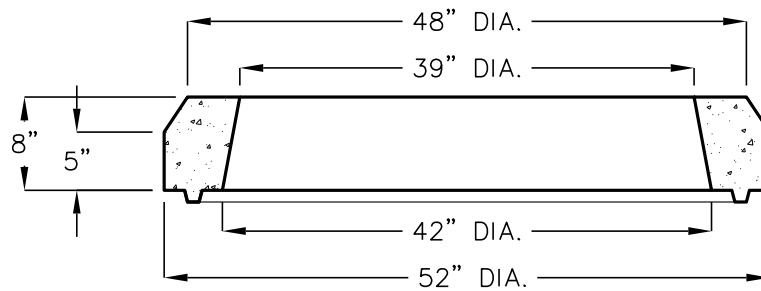


CONCENTRIC REDUCER CONE

42" TO 39" DIA.
(NOMINAL INSIDE DIMENSIONS)



PLAN VIEW



ELEVATION SECTION

APPROXIMATE WEIGHT: 560 LBS.

CONFORMS TO CURRENT SPECIFICATIONS: ASTM C-478 AND ASSHTO M-199.

FOR COMPLETE DESIGN AND PRODUCT INFORMATION CONTACT JENSEN PRECAST.