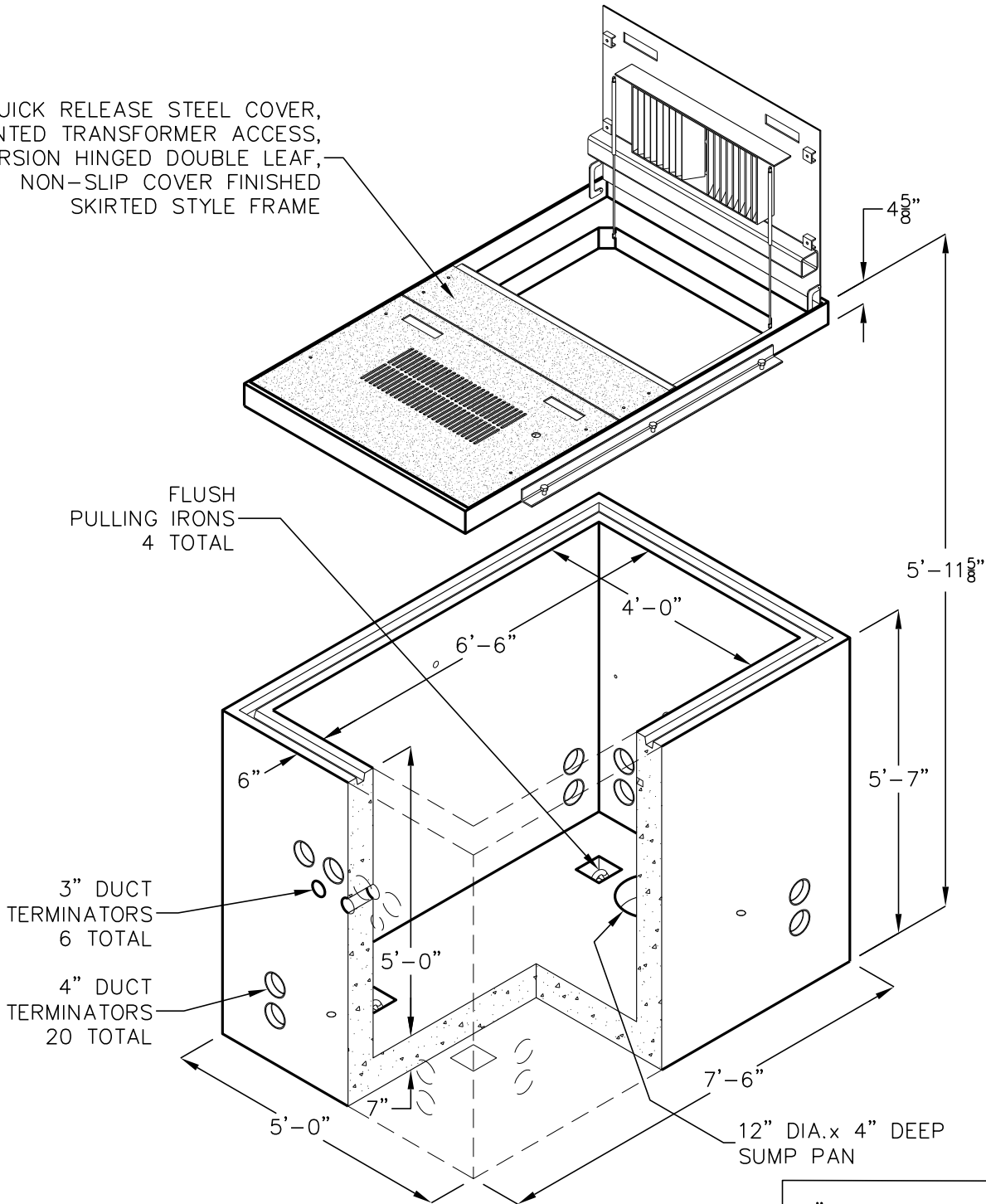




4'-0"x6'-6"x5'-0" (#6) PRIMARY ENCLOSURE 1 ϕ PHASE TRANSFORMER

PG&E CODE: 041493

QUICK RELEASE STEEL COVER,
VENTED TRANSFORMER ACCESS,
TORSION HINGED DOUBLE LEAF,
NON-SLIP COVER FINISHED
SKIRTED STYLE FRAME



Ø1" GROUNDING ROD KNOCKOUT
2 LOCATIONS IN FLOOR

MATERIAL LIST (K466T25PGTX)		
PG&E CODE	DESCRIPTION	WEIGHT (LBS)
041567	ENCLOSURE, 4'x6'-6"x5' PG&E	11,760
360148	COVER, 4'x6'-6" TRANS 25MPH PG&E	1,100



Jensen Precast reserves the right to make changes to product design and/or dimensions without notice. Please contact Jensen Precast whenever necessary for confirmation or advice on product design.