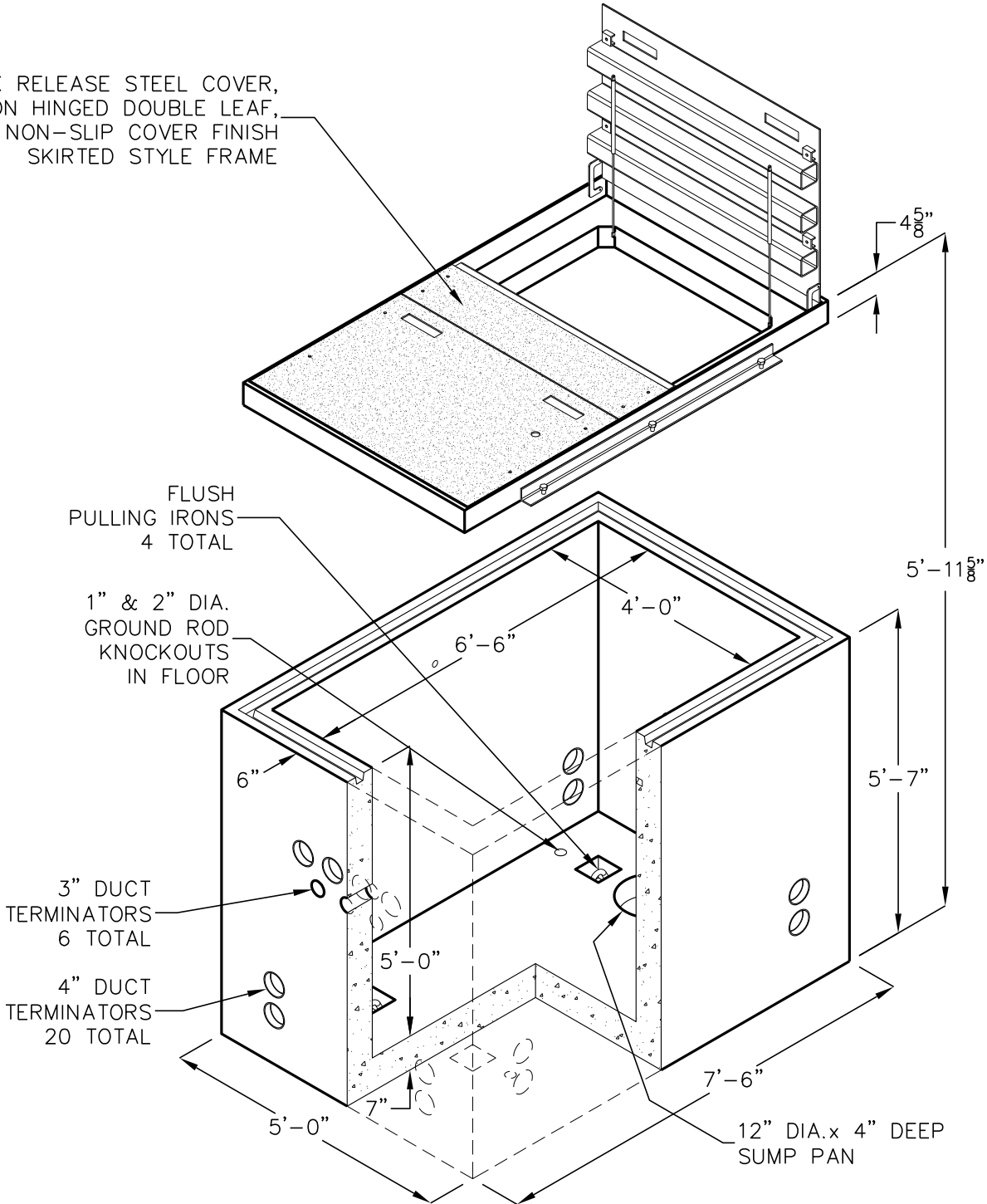




# 4'-0" x 6'-6" x 5'-0" (#6) PRIMARY ENCLOSURE EQUIPMENT/SPLICE

PG&E CODE: 041496

QUICK RELEASE STEEL COVER,  
TORSION HINGED DOUBLE LEAF,  
NON-SLIP COVER FINISH  
SKIRTED STYLE FRAME



### MATERIAL LIST (K466T25PG)

PG&E CODE	DESCRIPTION	WEIGHT (LBS)
041567	ENCLOSURE, 4'x6'-6"x5' PG&E	11,760
360149	COVER 4'x6'-6" SPLICE 25MPH PG&E	1,030



Jensen Precast reserves the right to make changes to product design and/or dimensions without notice. Please contact Jensen Precast whenever necessary for confirmation or advice on product design.