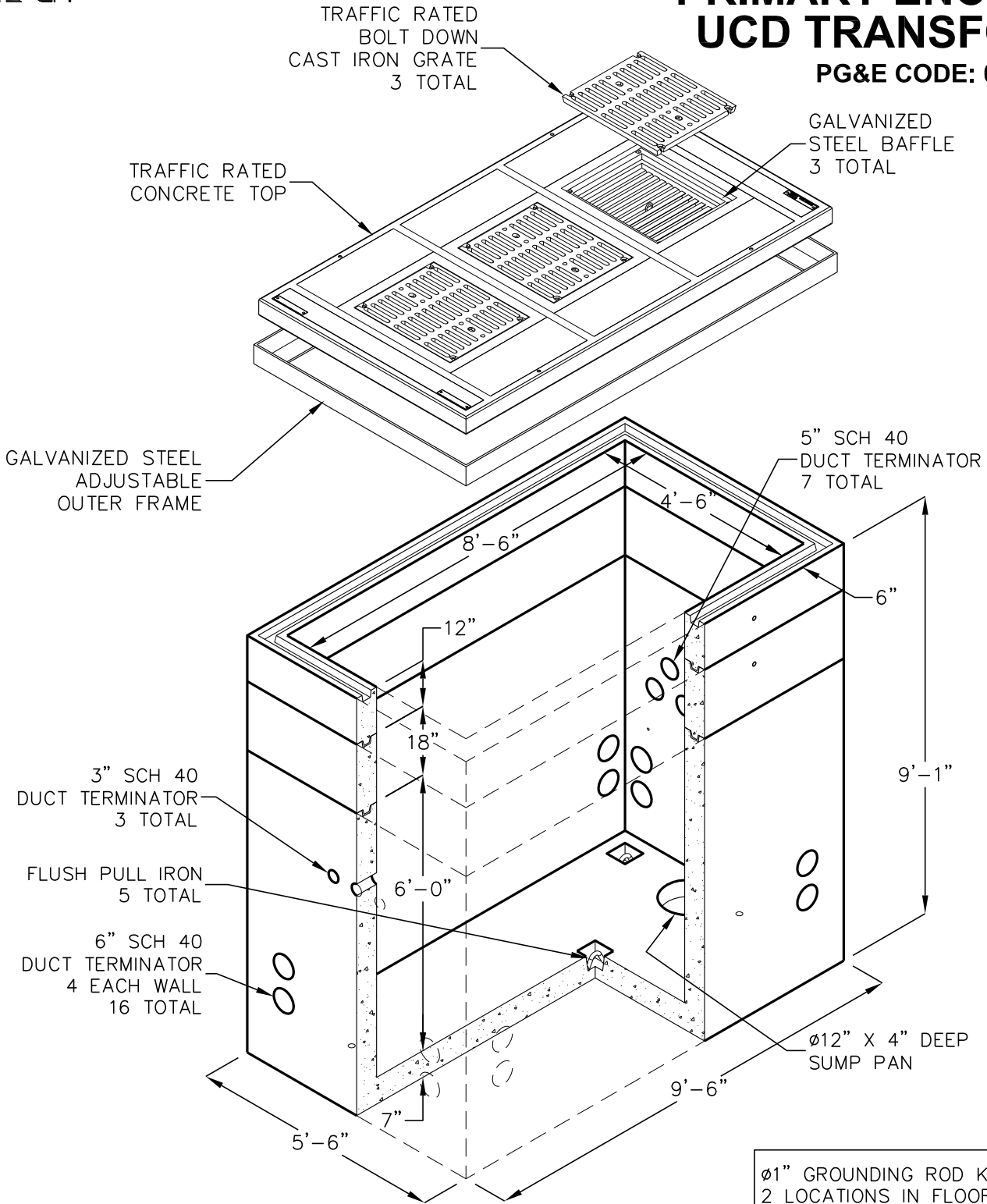




4'-6"x8'-6"x8'-6" (#7) PRIMARY ENCLOSURE UCD TRANSFORMER

PG&E CODE: 040324



MATERIAL LIST		
PG&E CODE	DESCRIPTION	WEIGHT (LBS)
043376	4686-6 VAULT	16,958
043415	4686-R12 RISER	2,140
043377	4686-R18 RISER	3,210
041442	4686 FVT TRANS COVER- PGE	3,840
040341	4686 FVT OUTER FRAME	450

F Jensen Precast reserves the right to make changes to product design and/or dimensions without notice. Please contact Jensen Precast whenever necessary for confirmation or advice on product design.