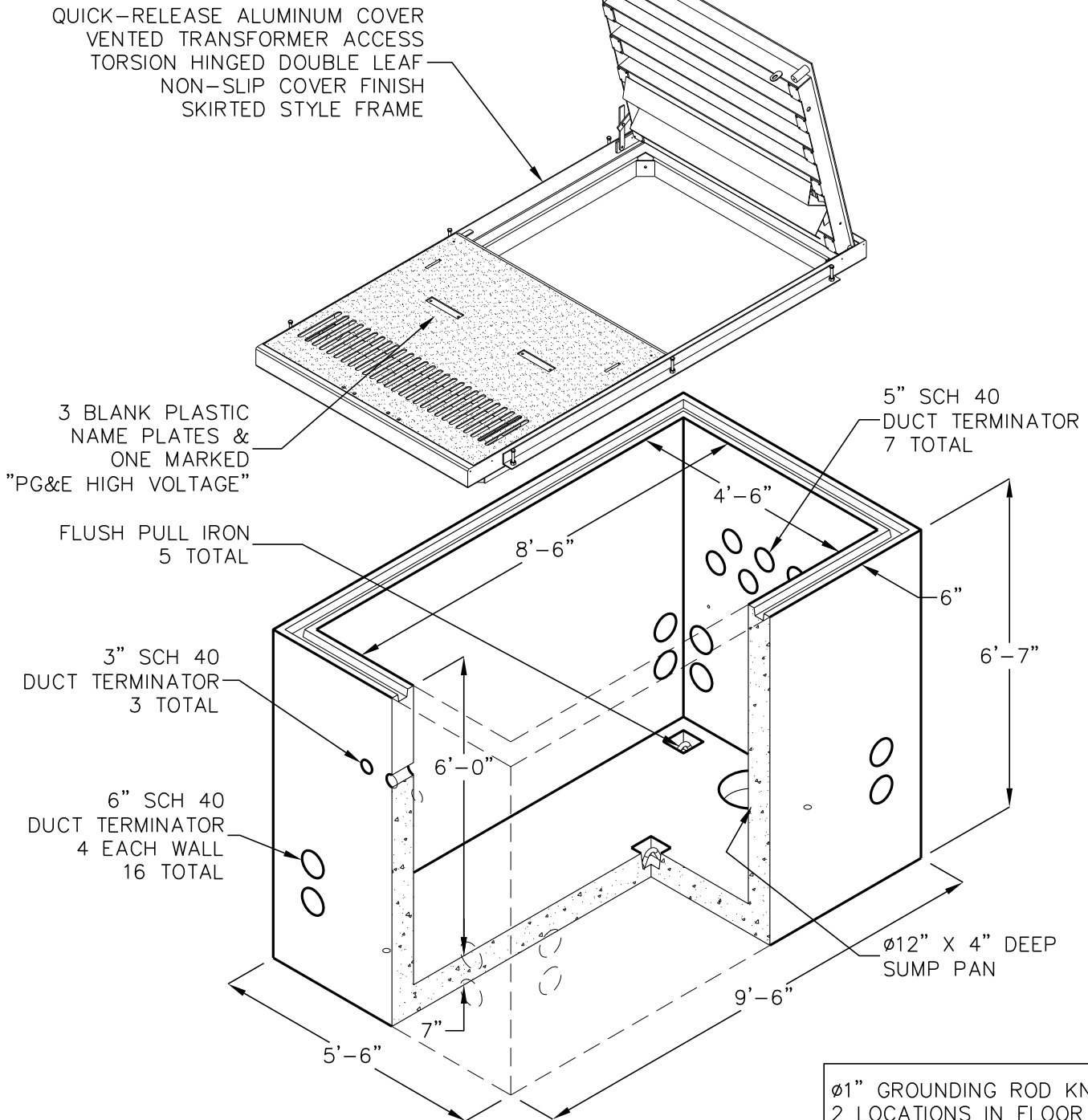




# 4'-6" x 8'-6" x 6'-0" (#7) PRIMARY ENCLOSURE 3 $\phi$ DUPLEX TRANSFORMER

PG&E CODE: 043371



MATERIAL LIST		
PG&E CODE	DESCRIPTION	WEIGHT (LBS)
043376	4686-6 VAULT	16,958
031830	4686 ALUM QR TRANS COVER- PGE	1,460

F Jensen Precast reserves the right to make changes to product design and/or dimensions without notice. Please contact Jensen Precast whenever necessary for confirmation or advice on product design.