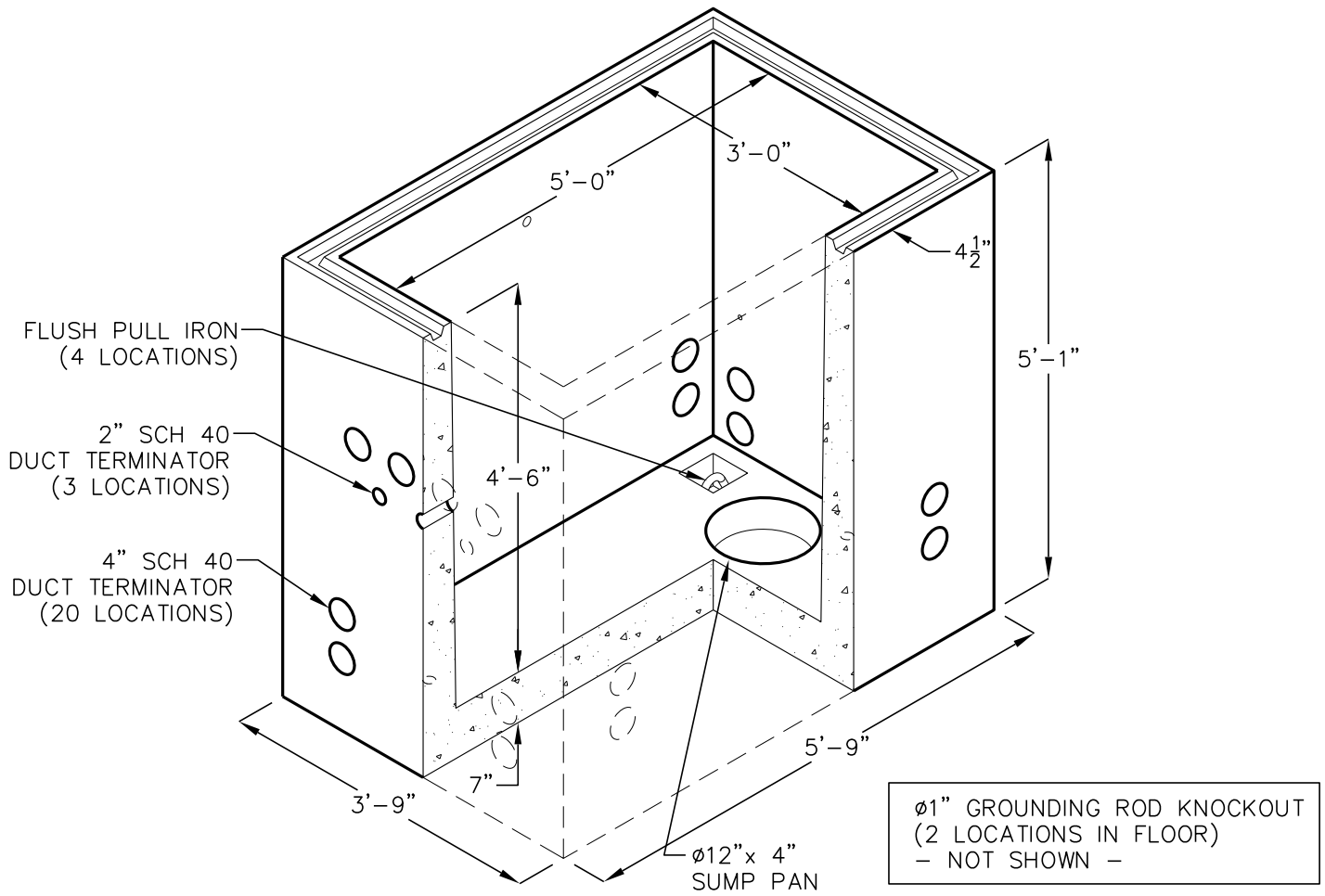




# 3'-0"x5'-0"x4'-6" PRIMARY ENCLOSURE BASE SECTION

PG&E CODE 043588



PG&E CODE	DESCRIPTION	WEIGHT (LBS)
043588	ENCLOSURE, 3'x5'x4'-6" PG&E	6,410

**JENSEN**  
PRECAST EST. 1968

Jensen Precast reserves the right to make changes to product design and/or dimensions without notice. Please contact Jensen Precast whenever necessary for confirmation or advice on product design.