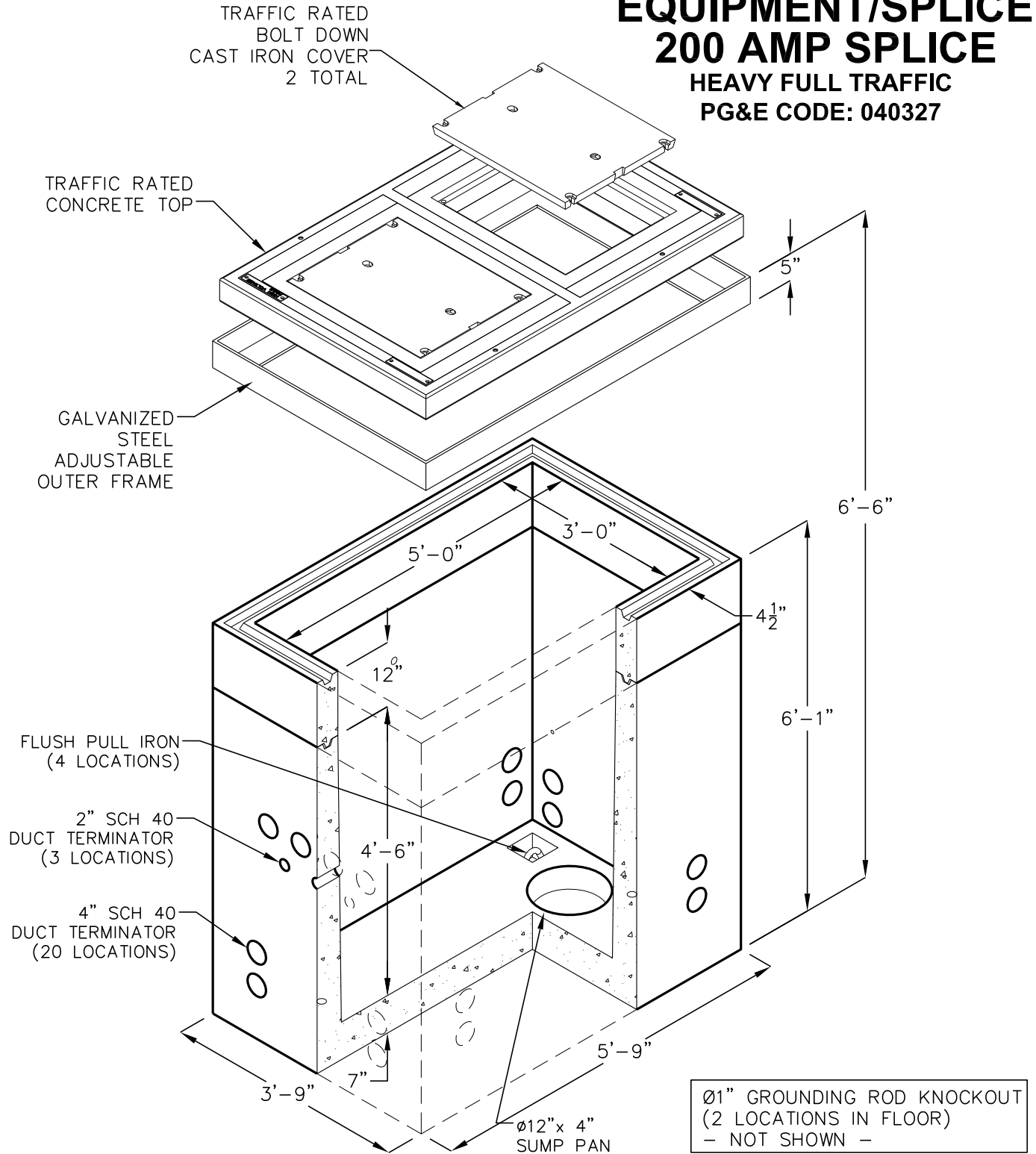




# 3'-0"x5'-0"x5'-6" (#5) PRIMARY ENCLOSURE EQUIPMENT/SPLICE 200 AMP SPLICE HEAVY FULL TRAFFIC PG&E CODE: 040327



Ø1" GROUNDING ROD KNOCKOUT  
(2 LOCATIONS IN FLOOR)  
- NOT SHOWN -

MATERIAL LIST (K35HD54PG)		
PG&E CODE	DESCRIPTION	WEIGHT (LBS)
043588	ENCLOSURE, 3'x5'x4'-6" PG&E	6,410
043362	RISER, 3'x5'x12" PG&E	970
041616	COVER, 3'x5', SPLICE, HVT PG&E	1,860
040339	FRAME, 3660 FVT OUTER, PG&E	310



Jensen Precast reserves the right to make changes to product design and/or dimensions without notice. Please contact Jensen Precast whenever necessary for confirmation or advice on product design.