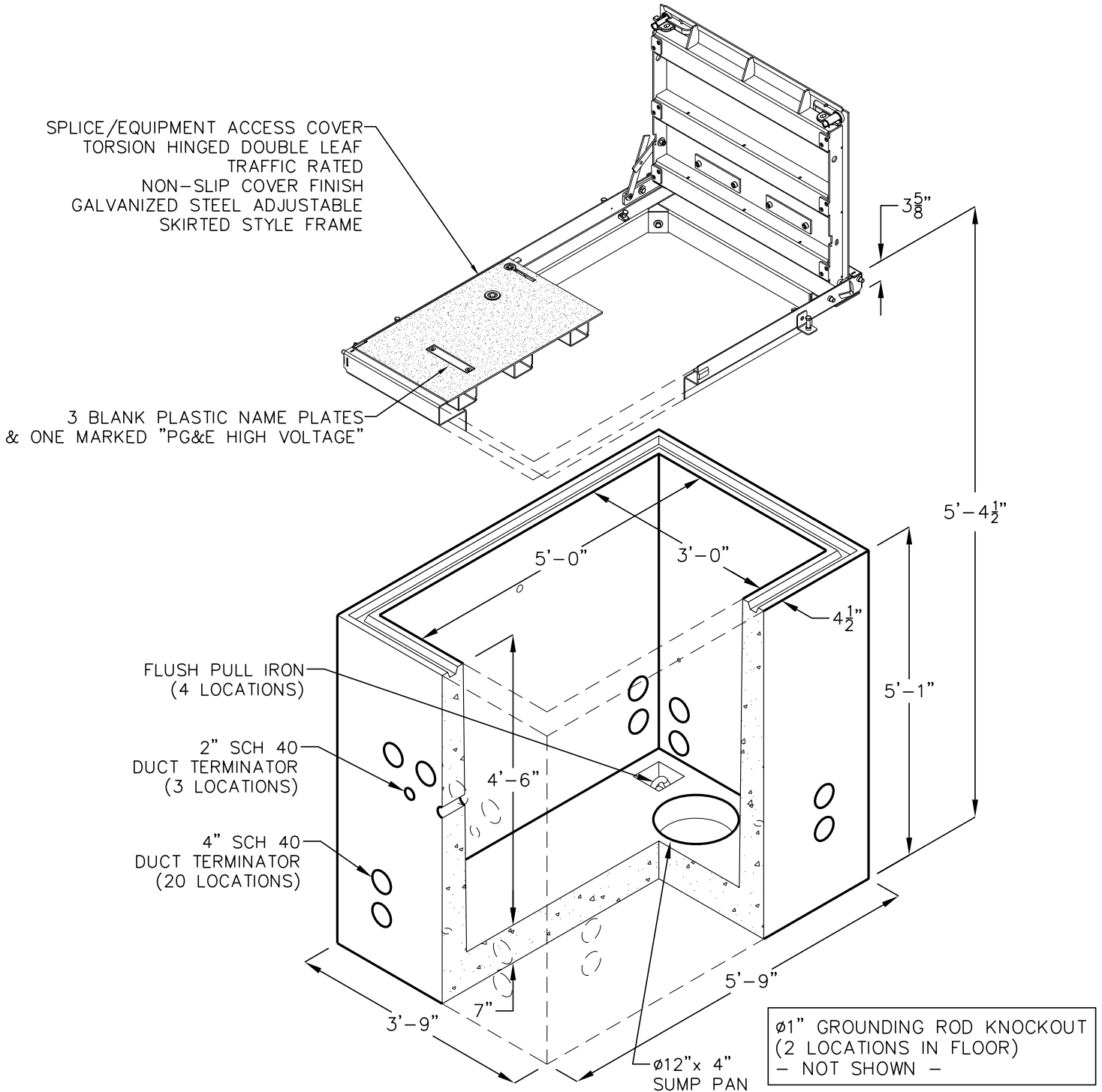




3'-0"x5'-0"x4'-6" (#5) PRIMARY ENCLOSURE EQUIPMENT/SPLICE 200 AMP SPLICE

PG&E CODE: 041669



MATERIAL LIST

PG&E CODE	DESCRIPTION	WEIGHT (LBS)
043588	ENCLOSURE, 3'x5'x4'-6" PG&E	6,410
041052	COVER, 3'x5' FVT PG&E	690



Jensen Precast reserves the right to make changes to product design and/or dimensions without notice. Please contact Jensen Precast whenever necessary for confirmation or advice on product design.