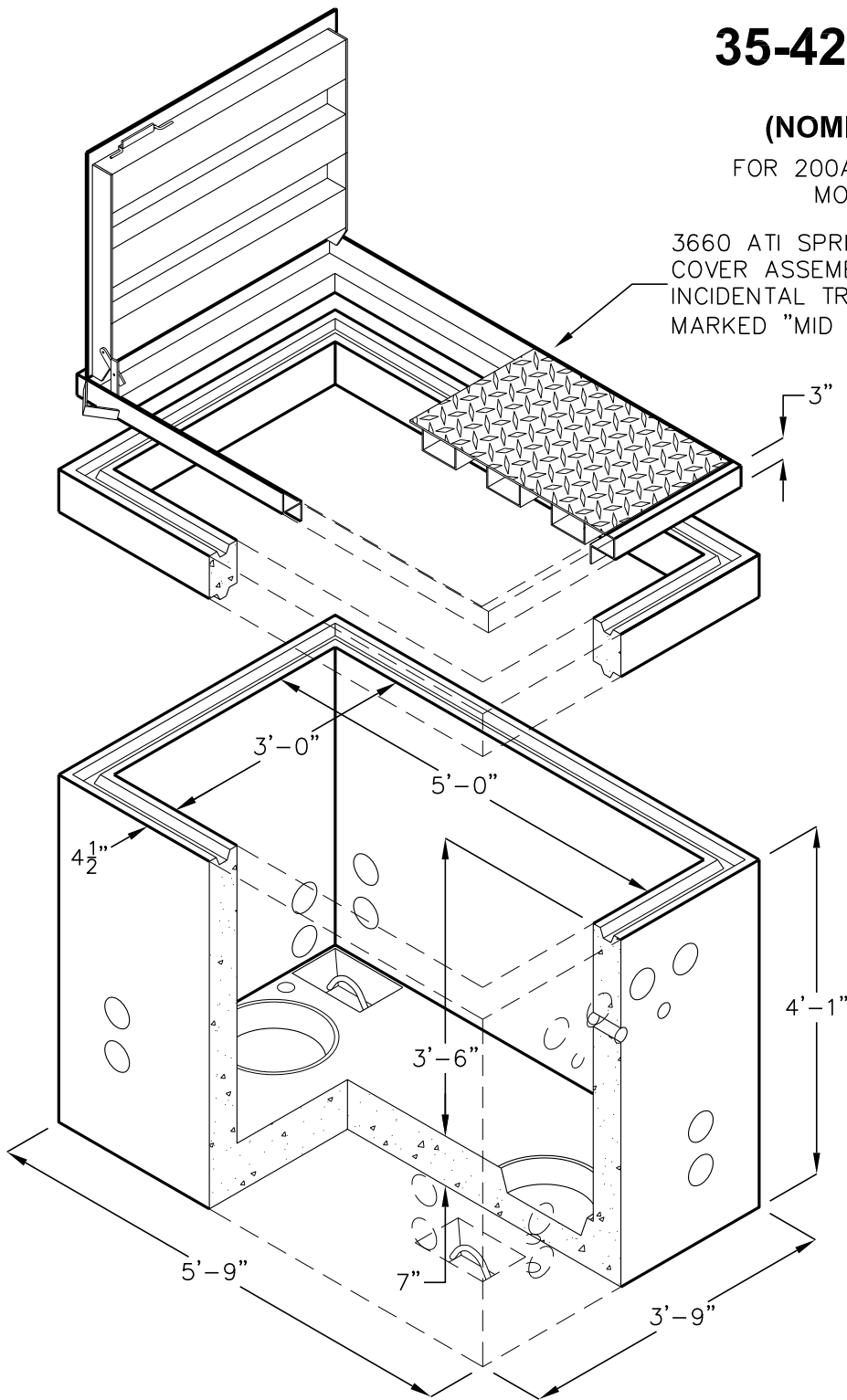


35-42 MID SPLICE BOX

3'-0"x5'-0"x3'-6"

(NOMINAL INSIDE DIMENSIONS)

FOR 200A LOAD BREAK PRIMARY MODULES
MODESTO IRRIGATION DISTRICT



AVAILABLE RISERS	
MODEL NO.	HEIGHT
35-R4	4"
35-R6	6"
35-R8	8"
35-R12	12"

DESIGN LOAD: INCIDENTAL H-20 DESIGN FOR 16,000 LB WHEEL LOAD WITHOUT IMPACT, IN AREAS OF LOW SPEED INTERMITTENT TRAFFIC ONLY; NOT FOR HIGH DENSITY TRAFFIC.

WATER TABLE ASSUMED TO BE BELOW BOTTOM OF STRUCTURE.

DUCT TERMINATOR SIZE AND LOCATIONS, KNOCKOUTS, PULLING IRONS, AND FEATURES PER CURRENT MODESTO IRRIGATION DISTRICT SPECIFICATIONS.

FOR COMPLETE DESIGN AND PRODUCT INFORMATION CONTACT JENSEN PRECAST.

Jensen Precast reserves the right to make changes to product design and/or dimensions without notice. Please contact Jensen Precast whenever necessary for confirmation or advice on product design.

JENSEN
PRECAST