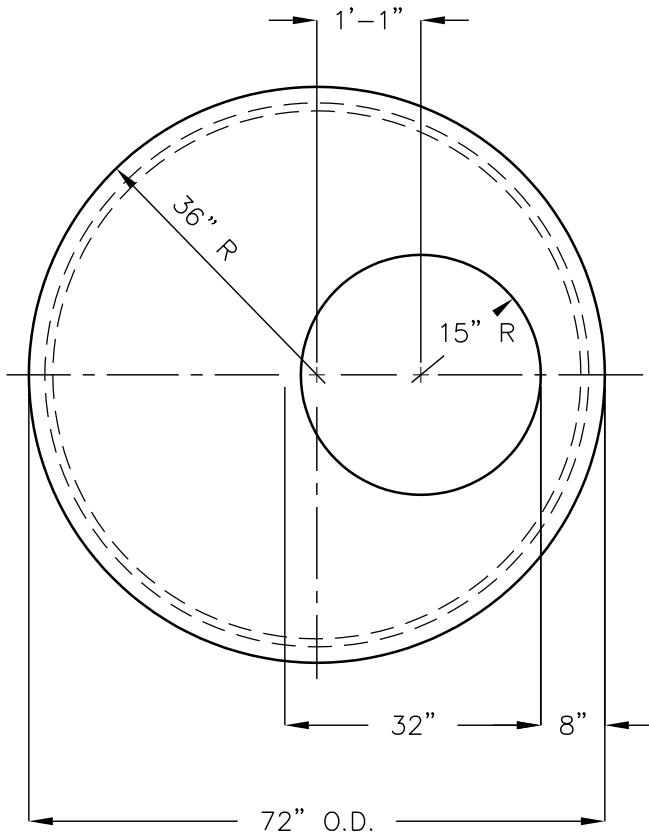
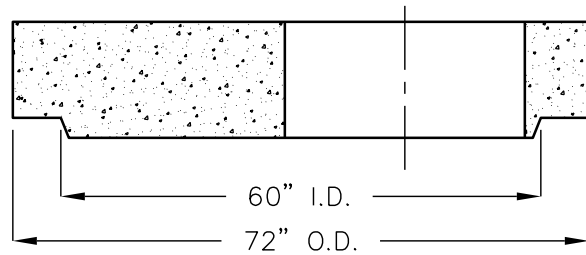


**60" I.D. x 6" WALL
FLAT TOP WITH
30" ECCENTRIC ACCESS
OPENING
MAG 420 SPECIFICATIONS**



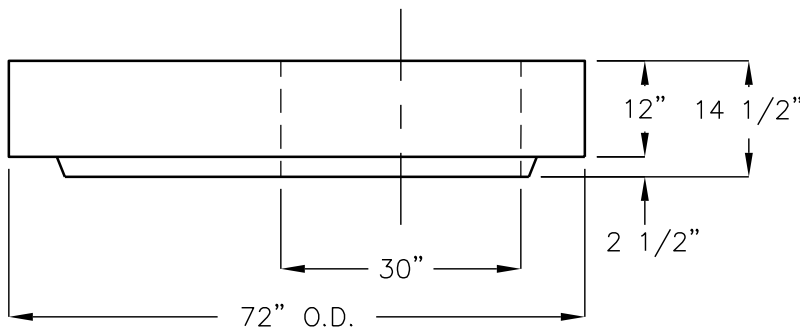
TOP VIEW



SECTION

APPROX. WT.	
6072FT-30 ECC MAG FLAT TOP	2990 LBS.

**CONFORMS TO ASTM SPECS C-478
AND AASHTO No. M199.**



SIDE VIEW

FLAT TOPS AND BASE SLABS
ARE DESIGNED FOR AASHTO
HS-20 WHEEL LOADING

FOR COMPLETE DESIGN,
AND PRODUCT INFORMATION
CONTACT JENSEN PRECAST.