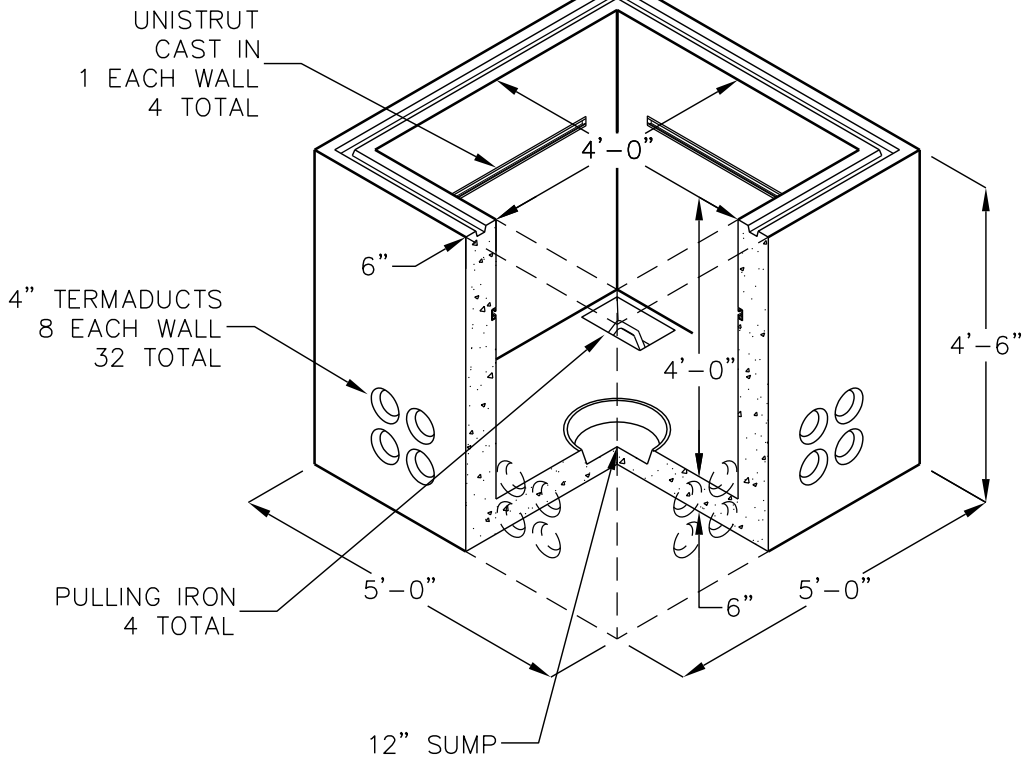
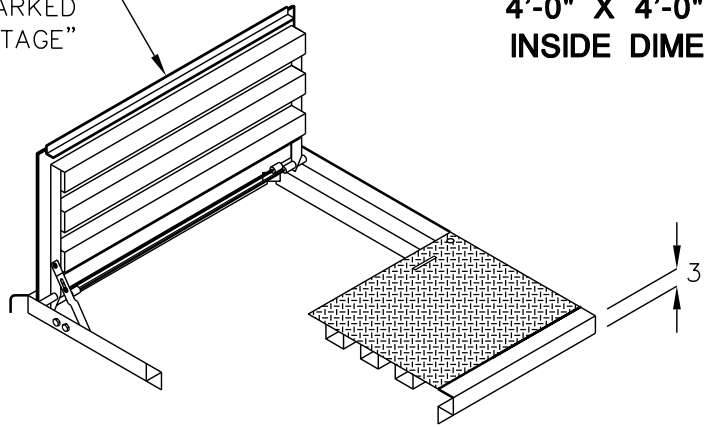


# 4848 PULL BOX U-2146-1

TURLOCK IRRIGATION DISTRICT  
4'-0" X 4'-0" X 4'-0"  
INSIDE DIMENSIONS

4848AT GALVANIZED  
TORSION COVER  
MARKED  
"T.I.D. HIGH VOLTAGE"



DESIGN LOAD: INCIDENTAL H-20 TRAFFIC SUITABLE FOR OFF STREET LOCATIONS AWAY FROM HIGH DENSITY TRAFFIC.

FOR COMPLETE DESIGN AND PRODUCT INFORMATION CONTACT JENSEN PRECAST.