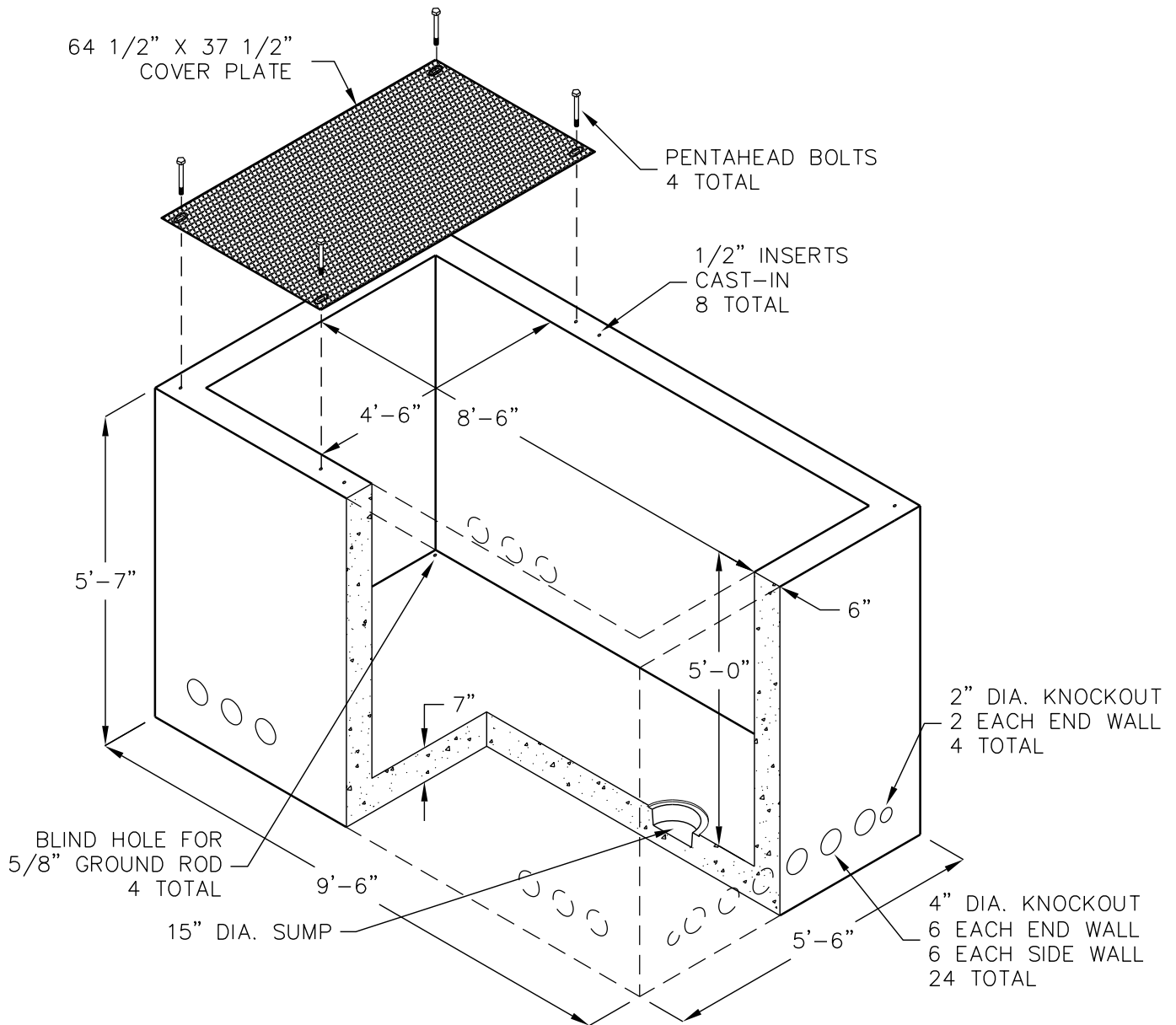


4686 SWITCH STRUCTURE TURLOCK IRRIGATION DISTRICT U-2095-1 4'-6" X 8'-6" X 5'-0" I.D.



DESIGN LOAD: INCIDENTAL H-20 TRAFFIC,
SUITABLE FOR OFF-STREET LOCATIONS,
NOT SUBJECT TO HIGH DENSITY TRAFFIC.

FOR COMPLETE DESIGN AND PRODUCT INFORMATION
CONTACT JENSEN PRECAST.