

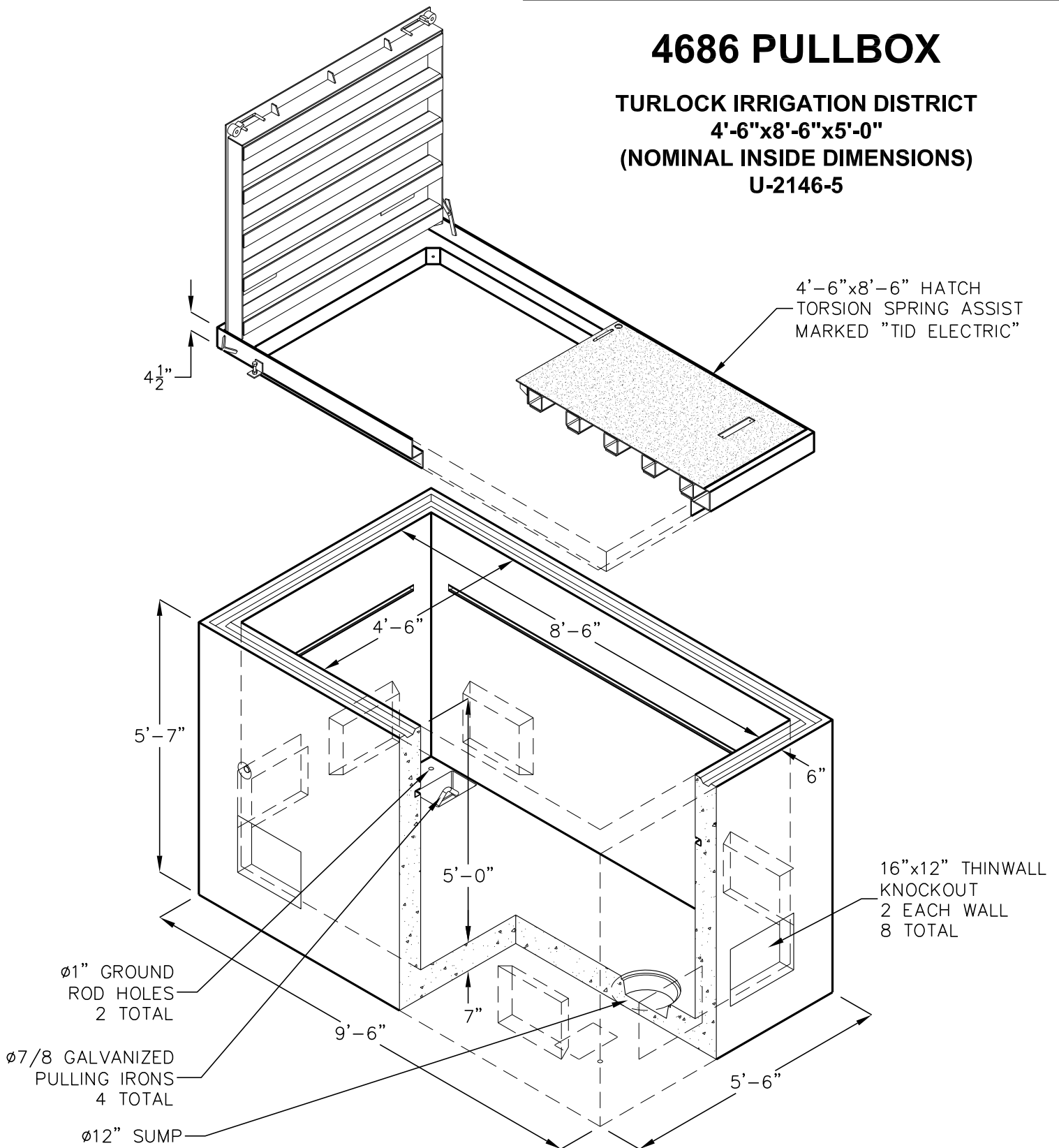
4686 PULLBOX

TURLOCK IRRIGATION DISTRICT

4'-6" x 8'-6" x 5'-0"

(NOMINAL INSIDE DIMENSIONS)

U-2146-5



DESIGN LOAD: INCIDENTAL H-20 DESIGN FOR 16,000 LB WHEEL LOAD WITHOUT IMPACT, IN AREAS OF LOW SPEED INTERMITTENT TRAFFIC ONLY; NOT FOR HIGH DENSITY TRAFFIC.

WATER TABLE ASSUMED TO BE BELOW BOTTOM OF STRUCTURE.

FOR COMPLETE DESIGN AND PRODUCT INFORMATION CONTACT JENSEN PRECAST.

H Jensen Precast reserves the right to make changes to product design and/or dimensions without notice. Please contact Jensen Precast whenever necessary for confirmation or advice on product design.