

35 TID VAULT

3'-0" X 5'-0" X 4'-6" I.D.

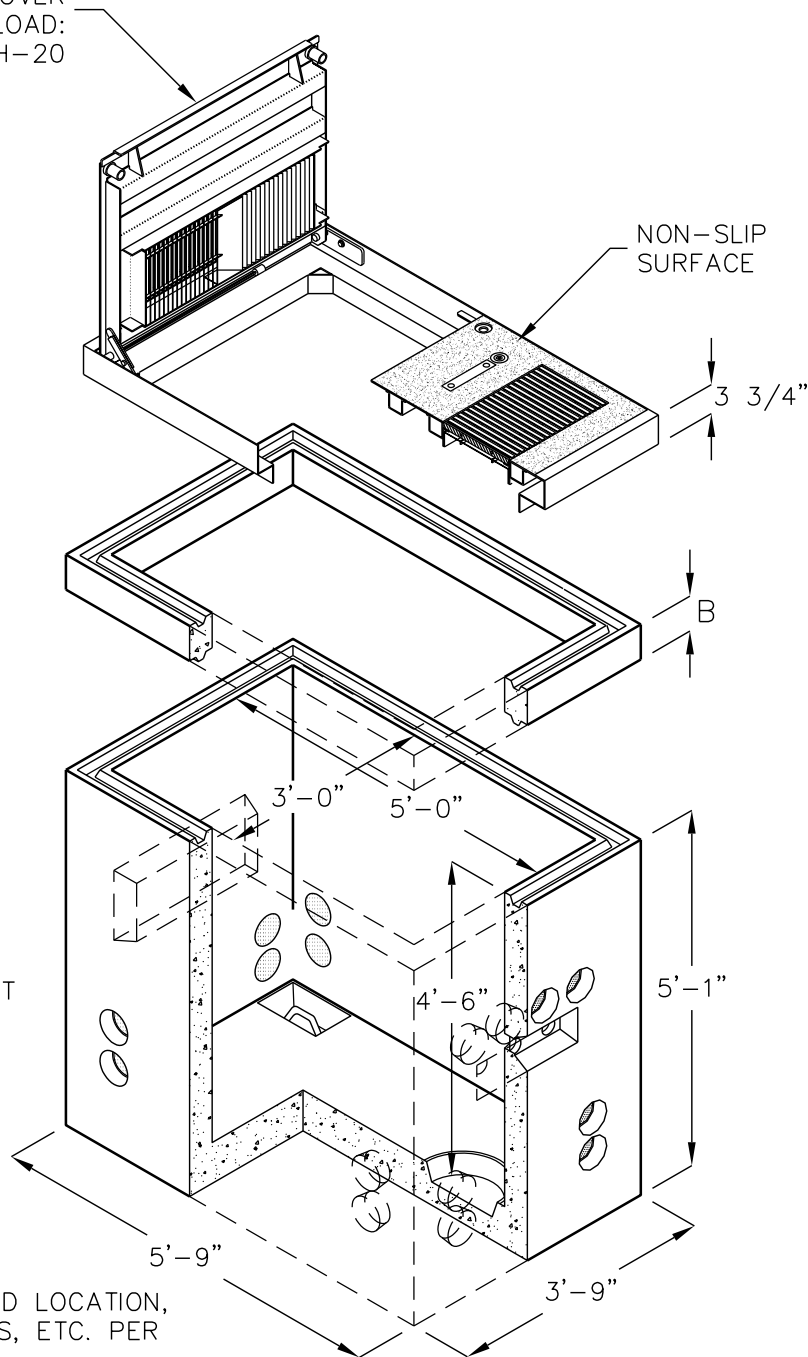
TURLOCK IRRIGATION
DISTRICT

QUICK RELEASE
ALUMINUM COVER
DESIGN LOAD:
INCIDENTAL H-20

COVER ONLY
T.I.D. 02-5603
APPROX. WEIGHT
619 LBS.

| OPTIONAL RISERS (EXTENSIONS) | | |
|---------------------------------|-----|----------|
| MODEL NO. | B | WEIGHT |
| 35-R4 | 4" | 270 LBS. |
| 35-R6 | 6" | 420 LBS. |
| 35-R8 | 8" | 540 LBS. |
| 35-R12 | 12" | 835 LBS. |

BOX ONLY
APPROX. WEIGHT
6359 LBS



DUCT TERMINATOR SIZE AND LOCATION,
KNOCKOUTS, PULLING IRONS, ETC. PER
CURRENT SPECIFICATIONS.

FOR COMPLETE DESIGN AND PRODUCT INFORMATION
CONTACT JENSEN PRECAST.