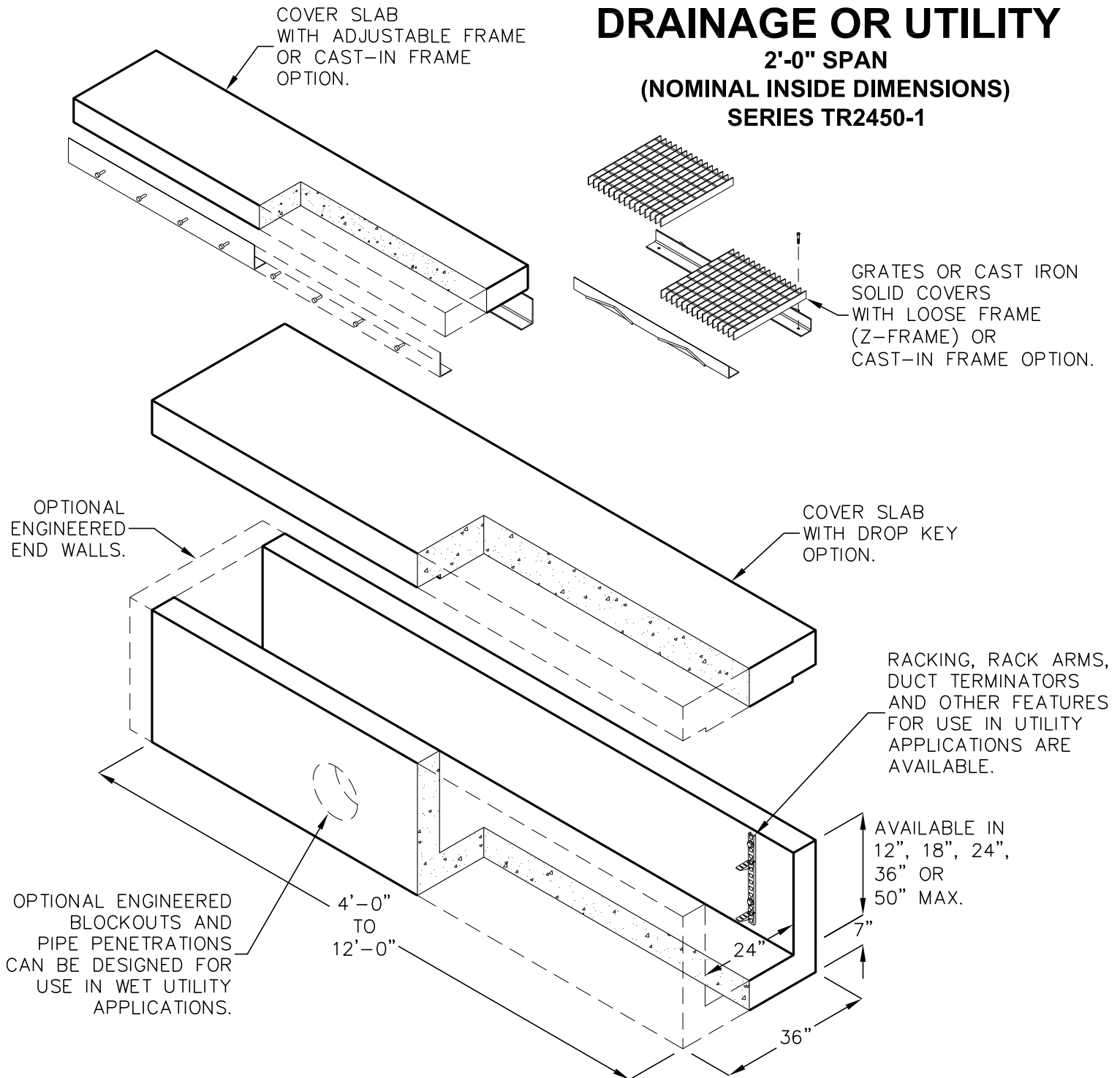


TRENCH DRAINAGE OR UTILITY

2'-0" SPAN
(NOMINAL INSIDE DIMENSIONS)
SERIES TR2450-1



- ENDS CAN BE ENGINEERED SKEWS TO ALLOW FOR CURVES IN TRENCH RUNS.
- STANDARD DESIGN AVAILABLE MEETING H-20 TRAFFIC LOADING.
- OTHER LOADS AVAILABLE UPON REQUEST.
- CUSTOM INSIDE HEIGHTS AVAILABLE UPON REQUEST.

FOR COMPLETE DESIGN AND PRODUCT INFORMATION CONTACT JENSEN PRECAST.

C Jensen Precast reserves the right to make changes to product design and/or dimensions without notice. Please contact Jensen Precast whenever necessary for confirmation or advice on product design.