

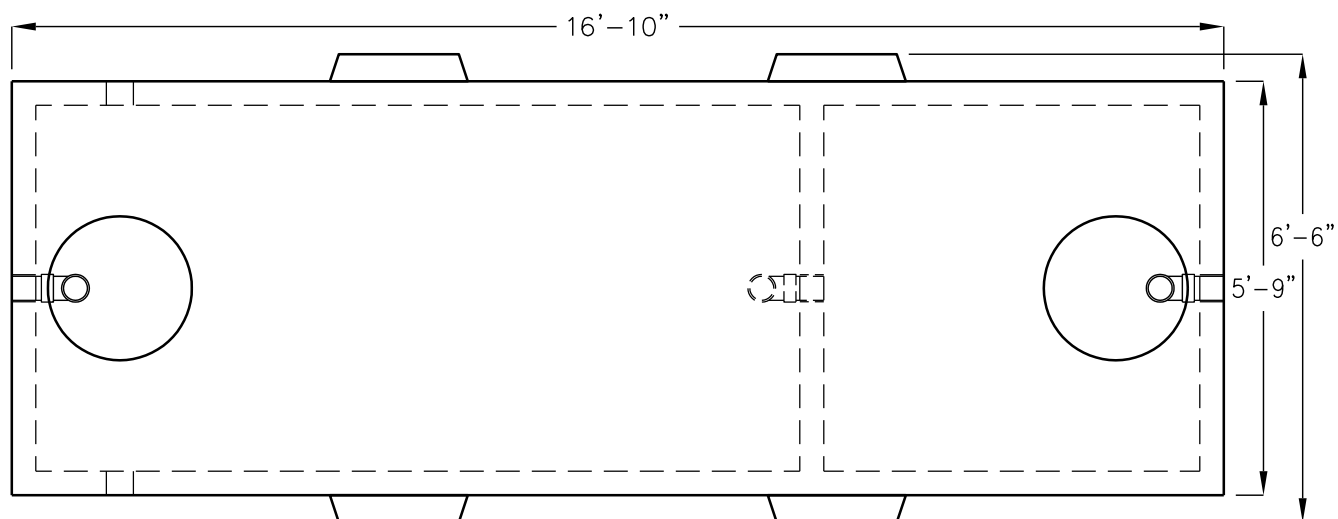
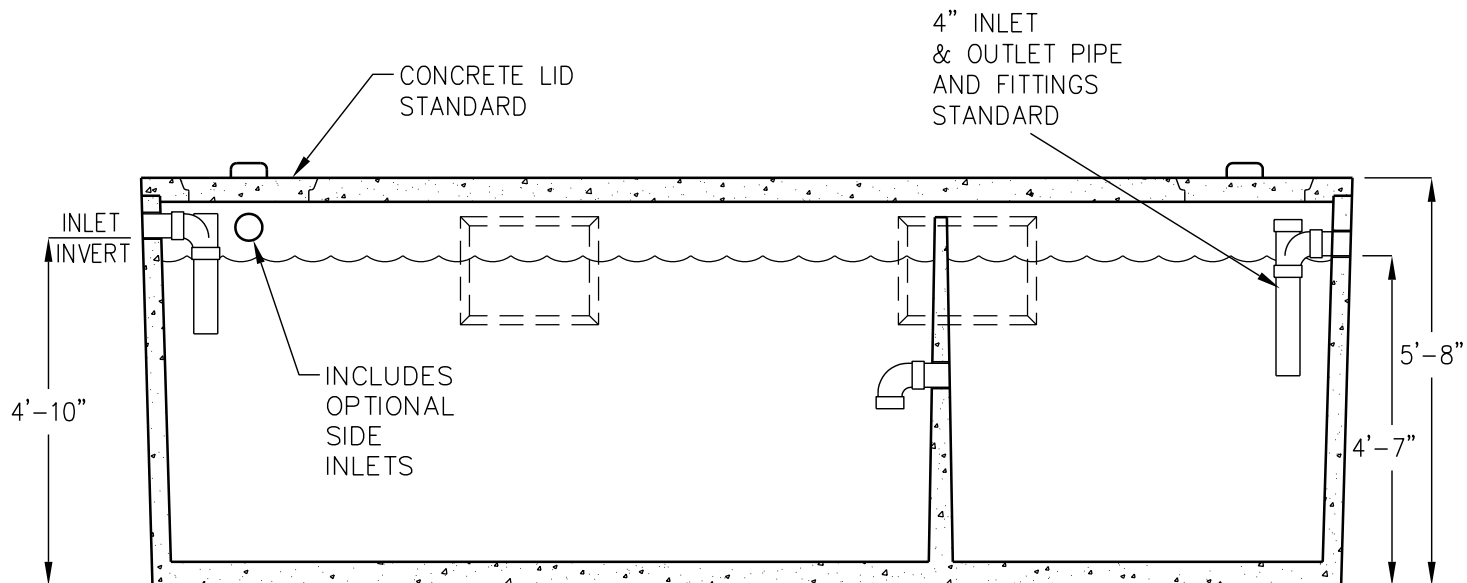
JS-2500 GALLON RESIDENTIAL SEPTIC TANK

MODEL JS2500

ACCEPTED BY UPC®

SIDE VIEW

CUTAWAY



TOP VIEW

LIQUID CAPACITY: 2500 GALLONS
BOX DESIGN LOAD: NON-TRAFFIC, 3 FEET
OF SOIL COVER, MAXIMUM OF 500 PSF.

FOR COMPLETE DESIGN
AND PRODUCT INFORMATION
CONTACT JENSEN PRECAST.