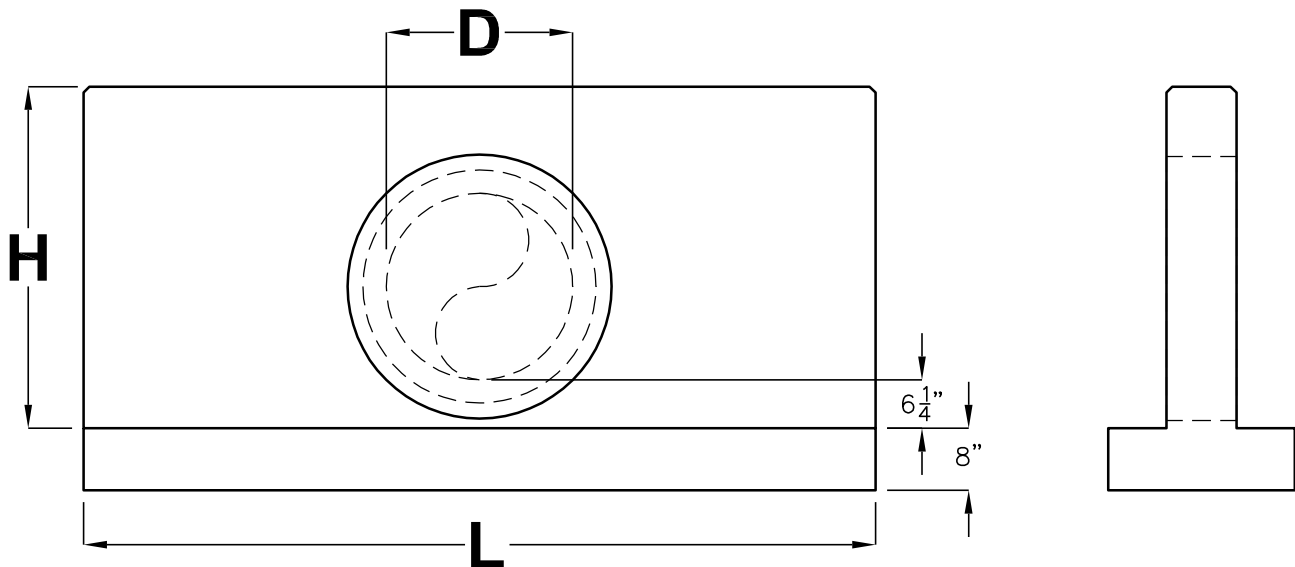


# HEADWALL SINGLE PIPE

CALTRANS D89



<b>D</b> NOMINAL PIPE INSIDE DIAMETER	<b>H</b>	<b>L</b>	<b>APPROX. WEIGHT LBS</b>
12"	2'-8"	5'-0"	2,382
15"	2'-11"	6'-0"	2,985
18"	3'-2"	7'-0"	3,629
21"	3'-5"	7'-6"	4,022
24"	3'-8"	8'-6"	4,735
27"	3'-11"	9'-6"	5,490
30"	4'-2"	10'-0"	5,951
33"	4'-5"	11'-0"	6,775
36"	4'-8"	12'-0"	7,640
39"	4'-11"	12'-6"	8,170
42"	5'-2"	13'-6"	9,104
45"	5'-5"	14'-6"	10,079
48"	5'-8"	15'-0"	10,678
51"	5'-11"	16'-0"	11,722
54"	6'-2"	17'-0"	12,808

DESIGNED TO COMPLY WITH CALTRANS STD D89.

FOR COMPLETE DESIGN AND PRODUCT INFORMATION  
CONTACT JENSEN PRECAST.

Jensen Precast reserves the right to make changes to product design and/or dimensions without notice. Please contact Jensen Precast whenever necessary for confirmation or advice on product design.