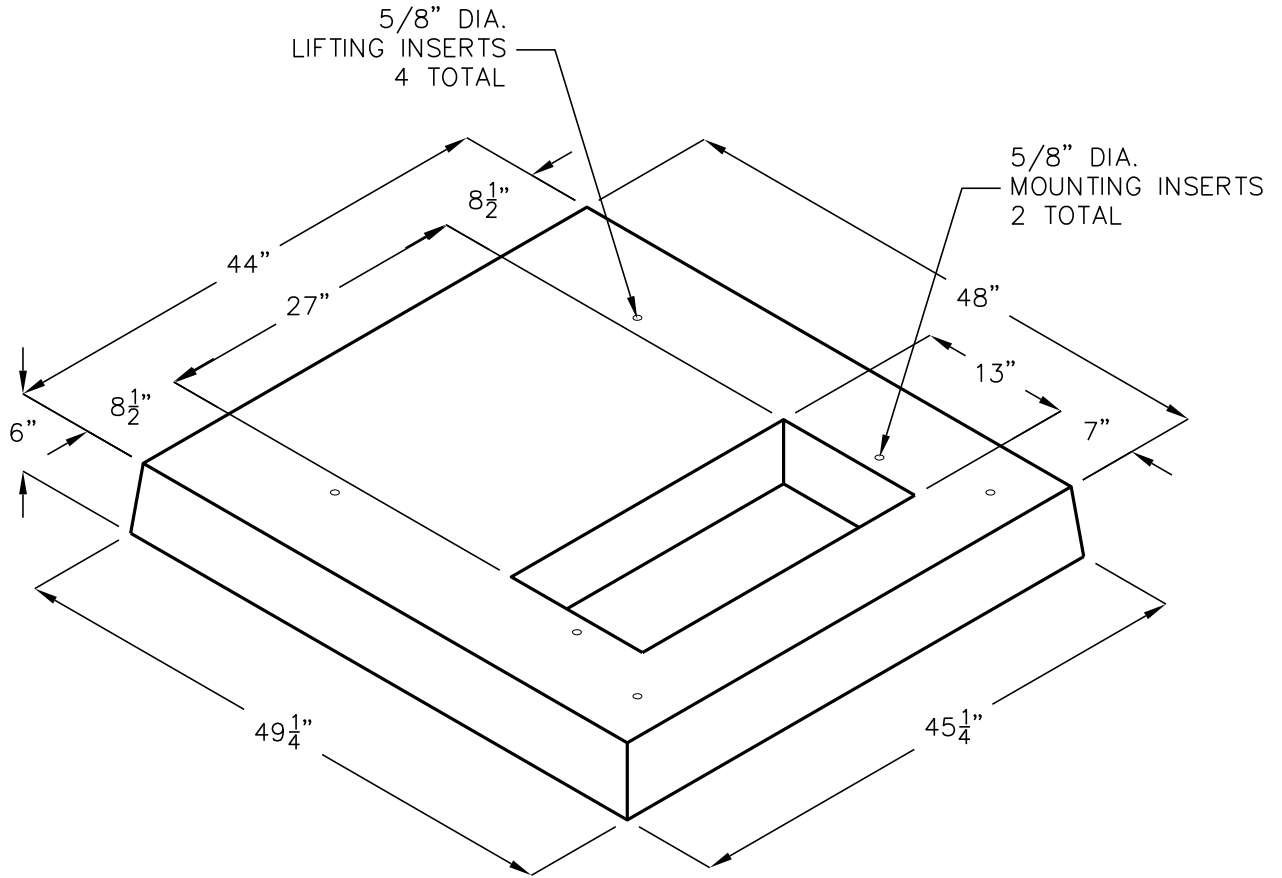




# TRANSFORMER PAD SINGLE PHASE

MODEL LM-PD4448-1  
LASSEN MUNICIPAL  
UTILITY DISTRICT



FOR COMPLETE DESIGN AND PRODUCT INFORMATION CONTACT JENSEN PRECAST.

A

11/4/2015  
4448\_TPAD\_LMUD.DWG  
©2015

Jensen Precast reserves the right to make changes to product design and/or dimensions without notice. Please contact Jensen Precast whenever necessary for confirmation or advice on product design.

**JENSEN**  
PRECAST EST. 1968