

3660 LMUD

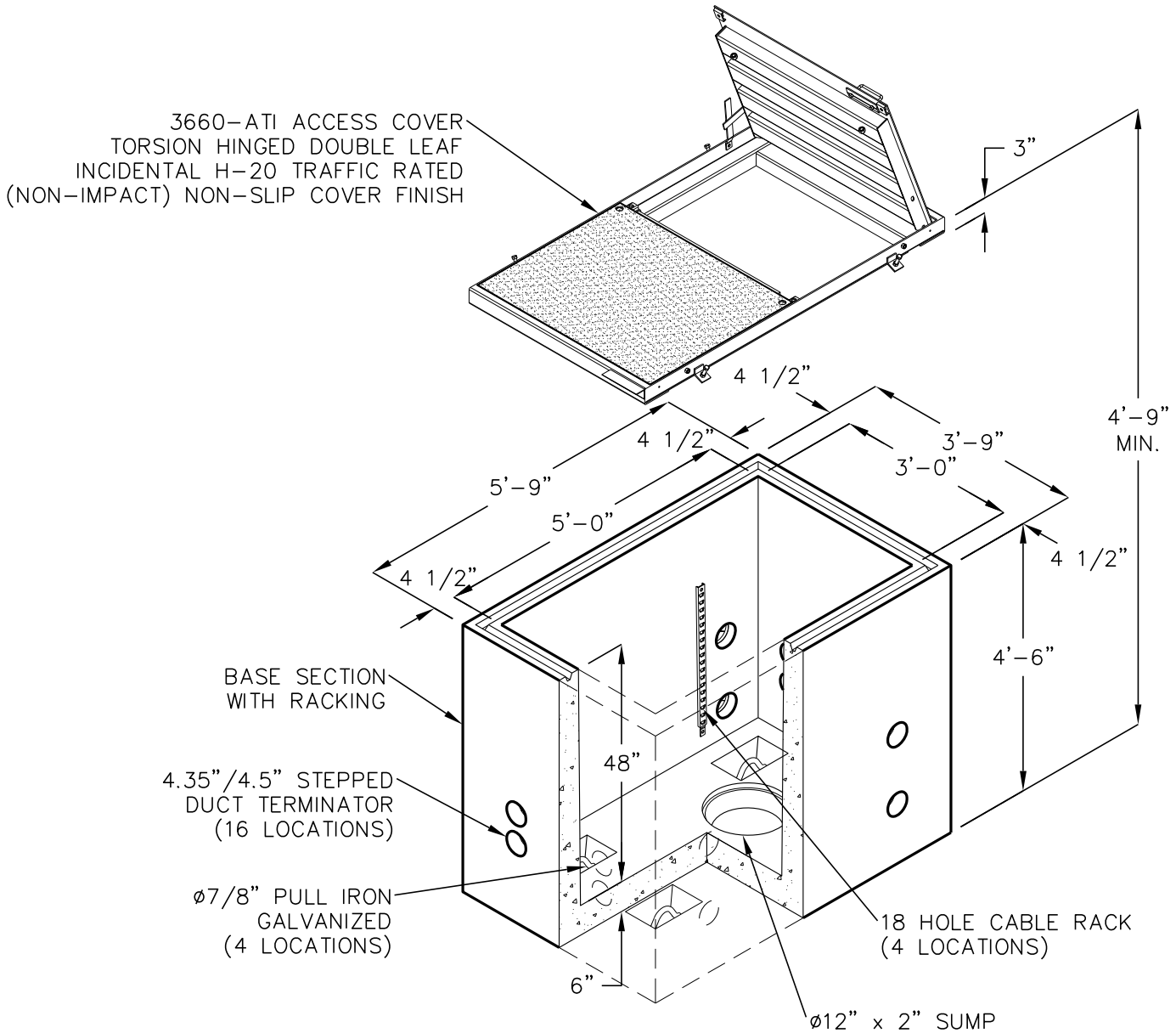
3'-0"x5'-0"x4'-0"

(NOMINAL INSIDE DIMENSIONS)

MODEL KLM3660X4-1

PULL/SPLICE BOX

SINGLE PHASE



DESIGN LOAD: INCIDENTAL H-20 DESIGN FOR 16,000 LB WHEEL LOAD WITHOUT IMPACT, IN AREAS OF LOW SPEED INTERMITTENT TRAFFIC ONLY; NOT FOR HIGH DENSITY TRAFFIC.

DUCT TERMINATOR SIZE AND LOCATION, PULLING IRONS, ETC. PER CURRENT LASSEN COUNTY MUNICIPAL DISTRICT SPECIFICATIONS.

FOR COMPLETE DESIGN AND PRODUCT INFORMATION CONTACT JENSEN PRECAST.

Jensen Precast reserves the right to make changes to product design and/or dimensions without notice. Please contact Jensen Precast whenever necessary for confirmation or advice on product design.

JENSEN
PRECAST EST. 1968