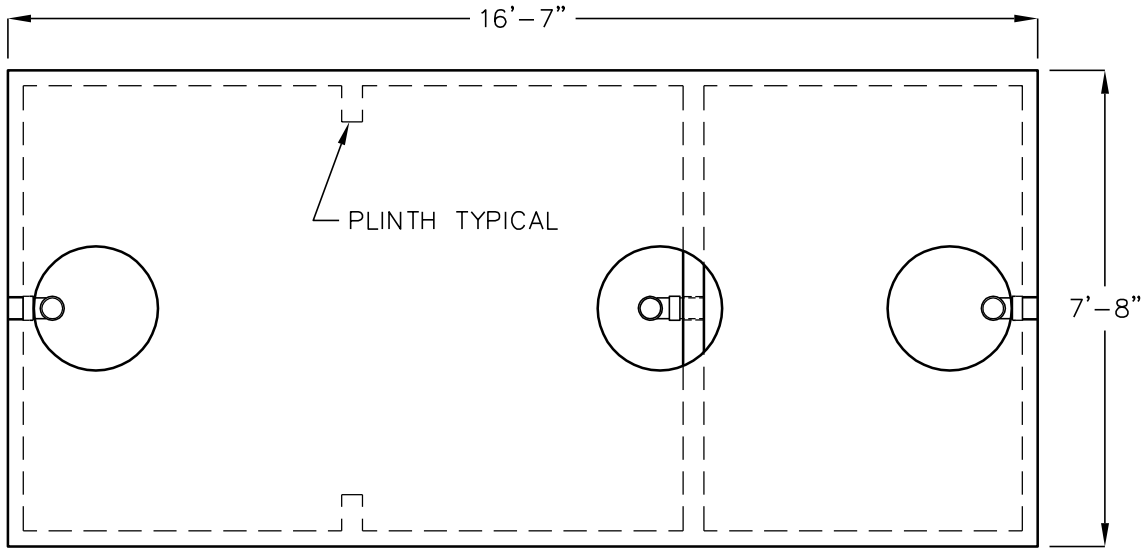


5000 GALLON SAND-OIL INTERCEPTOR

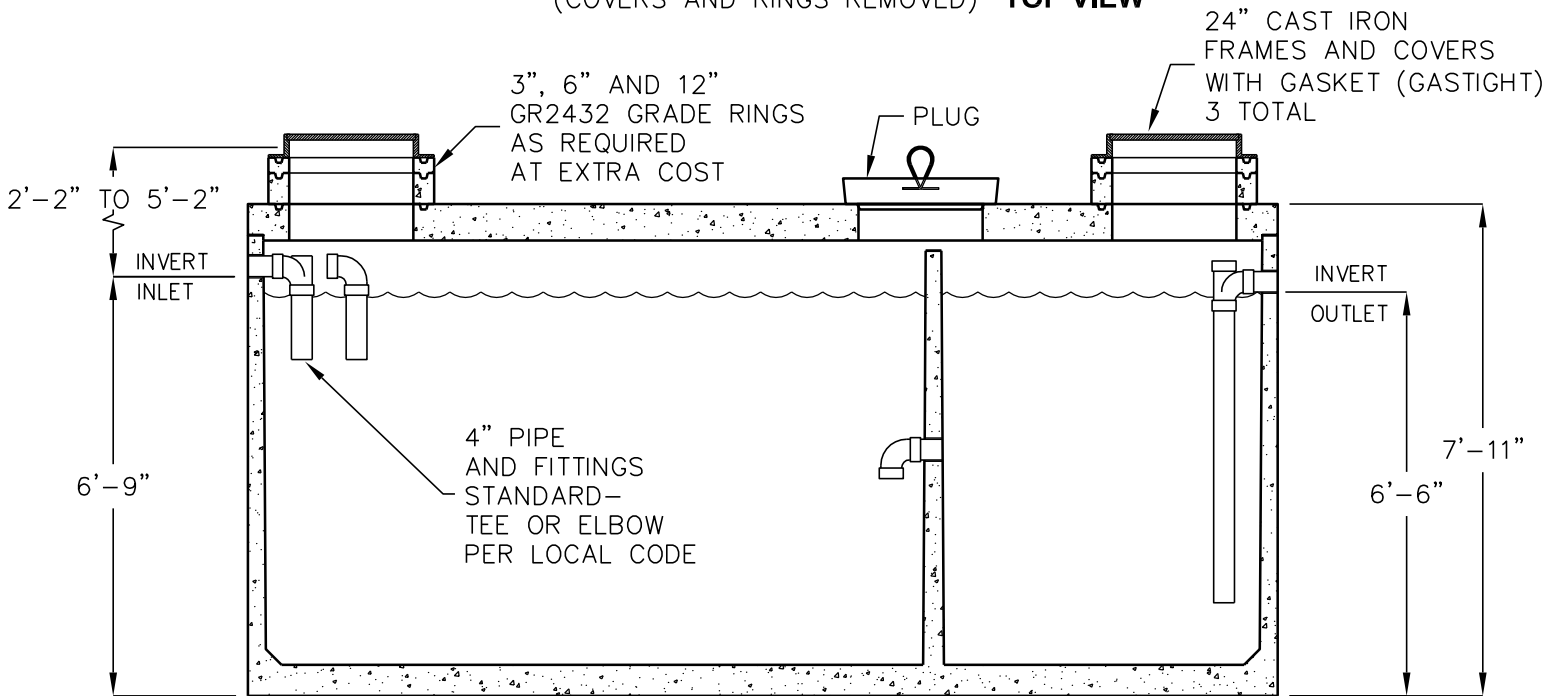
MODEL JZ5000EPE-SO

LISTED BY UPC®

NORTHERN CALIFORNIA



(COVERS AND RINGS REMOVED) **TOP VIEW**



SIDE SECTION VIEW

OPERATING CAPACITY: 5,000 GALLONS.

DESIGN LOAD: H-20 TRAFFIC WITH DRY SOIL CONDITIONS (WATER LEVEL BELOW TANK) AND 1'-4' EARTH COVER.

SUITABLE SUB-BASE BEDDED WITH GRANULAR MATERIAL SHALL BE PREPARED TO HANDLE ANTICIPATED LOADS.

FOR COMPLETE DESIGN AND PRODUCT INFORMATION CONTACT JENSEN PRECAST.

MINIMUM EXCAVATION
8'-8" x 17'-7"
x REQ'D DEPTH