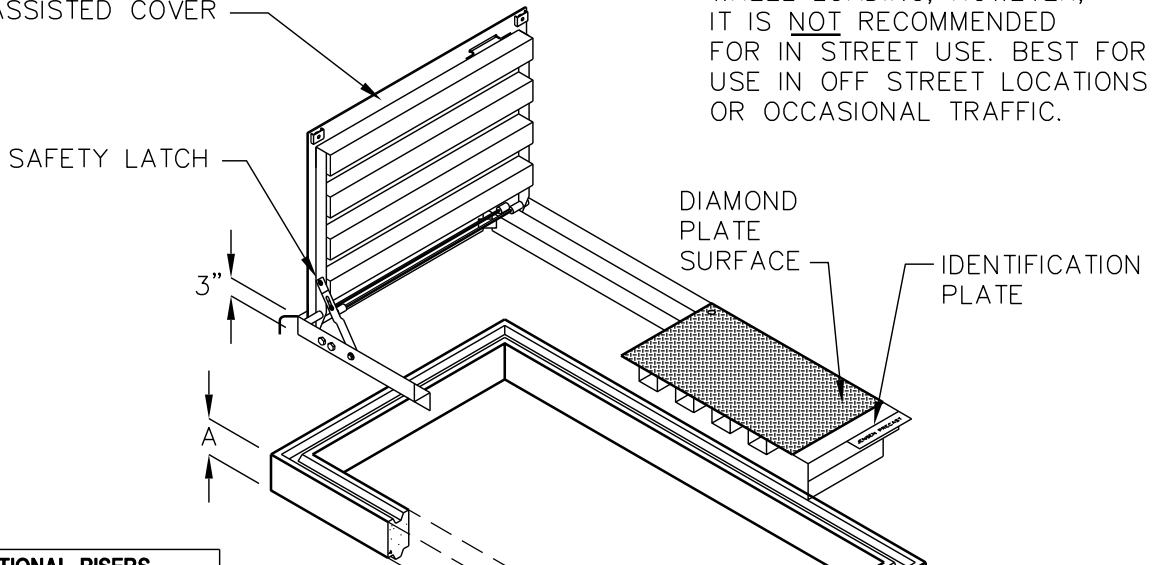


3672 PULLBOX

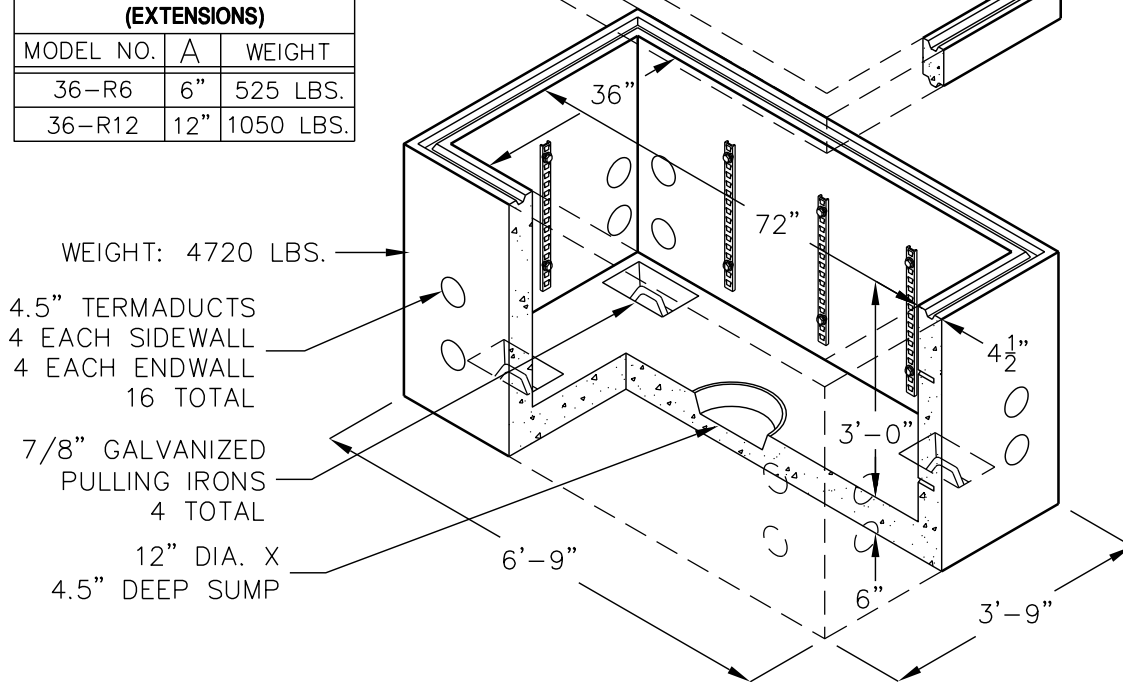
3'-0" x 6'-0" x 3'-0" I.D.
FRONTIER COMMUNICATIONS

*3672AT-TRF,
588 LBS (H-20 TRAFFIC) OR
3672AT-PKY,
481 LBS (NON TRAFFIC)
TORSION SPRING
ASSISTED COVER

NOTE:
*THIS COVER MEETS H-20
WHEEL LOADING, HOWEVER,
IT IS NOT RECOMMENDED
FOR IN STREET USE. BEST FOR
USE IN OFF STREET LOCATIONS
OR OCCASIONAL TRAFFIC.



OPTIONAL RISERS (EXTENSIONS)		
MODEL NO.	A	WEIGHT
36-R6	6"	525 LBS.
36-R12	12"	1050 LBS.



KNOCKOUTS, DUCT TERMINATORS, RACKING,
PULLING IRONS, INSERTS, ETC. PER CURRENT
FRONTIER COMMUNICATIONS SPECIFICATIONS.

DESIGN LOAD: H-20 TRAFFIC.

FOR COMPLETE DESIGN AND PRODUCT INFORMATION, CONTACT JENSEN PRECAST.