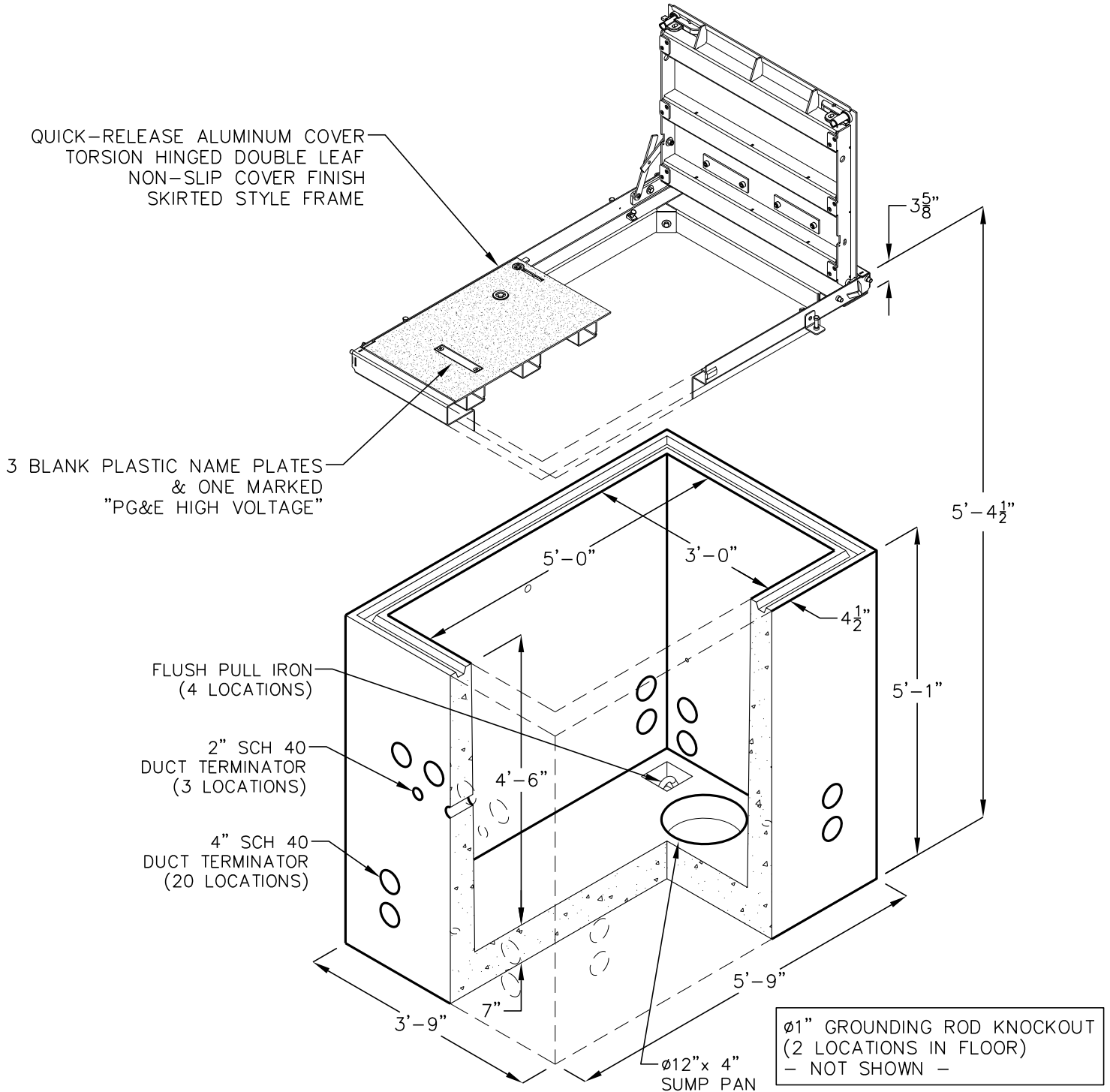




3'-0"x5'-0"x4'-6" (#5) PRIMARY ENCLOSURE EQUIPMENT/SPLICE 200 AMP SPLICE

PG&E CODE: 040334



MATERIAL LIST (K35I54PG)

| PG&E CODE | DESCRIPTION | WEIGHT (LBS) |
|-----------|------------------------------|--------------|
| 043588 | ENCLOSURE, 3'x5'x4'-6" PG&E | 6,410 |
| 025604 | COVER, 3'x5' SPLICE IVT PG&E | 690 |



Jensen Precast reserves the right to make changes to product design and/or dimensions without notice. Please contact Jensen Precast whenever necessary for confirmation or advice on product design.