

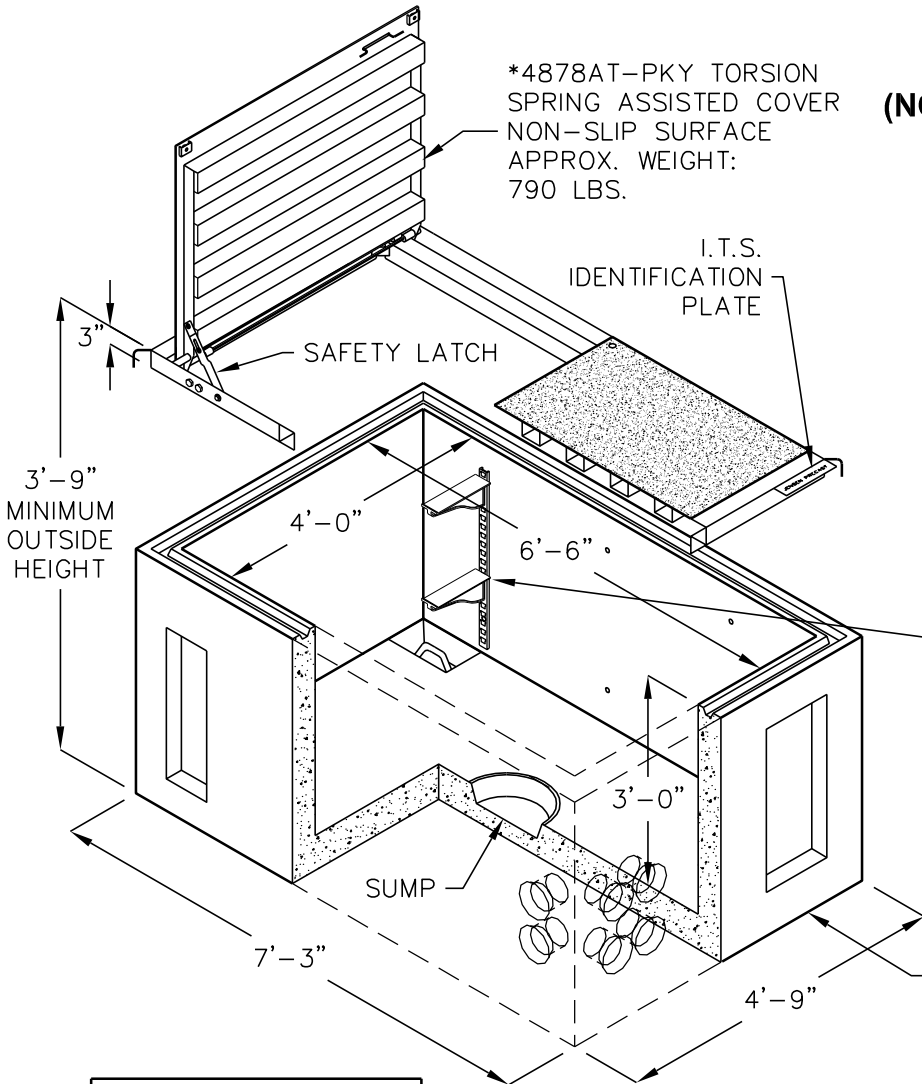
466TA PULLBOX

CITY OF FRESNO

I.T.S. VAULT 47

4'-0"x6'-6"x3'-0"

(NOMINAL INSIDE DIMENSIONS)



*4878AT-PKY TORSION SPRING ASSISTED COVER
NON-SLIP SURFACE
APPROX. WEIGHT:
790 LBS.

I.T.S.
IDENTIFICATION
PLATE

SAFETY LATCH

3'-9"
MINIMUM
OUTSIDE
HEIGHT

4'-0"

6'-6"

3'-0"

SUMP

7'-3"

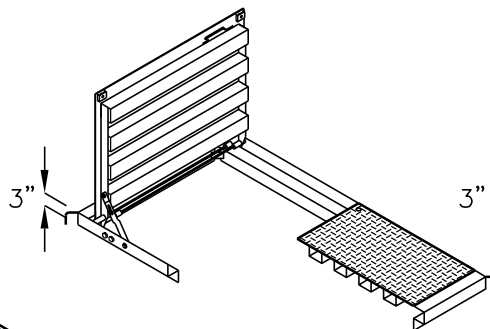
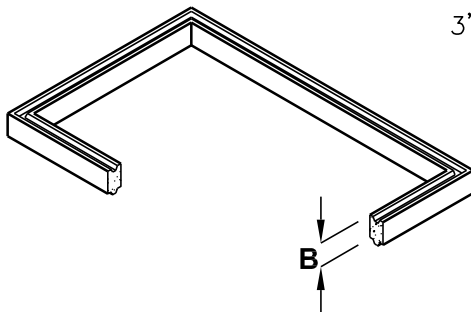
4'-9"

*NOTE:
DESIGNED TO WITHSTAND
H-20 WHEEL LOADINGS.
SUITABLE FOR USE IN
OFF-STREET LOCATIONS
WHERE NOT SUBJECTED
TO HIGH DENSITY TRAFFIC.

GALVANIZED STEEL
RACKING STEPS
PER CITY
OF FRESNO

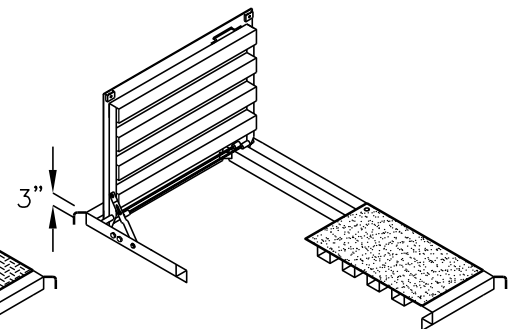
BOX DESIGN LOAD:
H-20 TRAFFIC
WEIGHT: 6380 LBS.

OPTIONAL RISERS (EXTENSIONS)		
MODEL NO.	B	WEIGHT
466-R6	6"	650 LBS.
466-R12	12"	1190 LBS.



**ADJUSTABLE TORSION SPRING
ASSISTED COVERS
(DIAMOND PLATE SURFACE)**

*4878AT-TRF, 790 LBS.
(H-20 TRAFFIC)
OR
4878AT-PKY, 640 LBS.
(NON-TRAFFIC)



**ADJUSTABLE TORSION SPRING
ASSISTED COVERS
(NON-SLIP SURFACE)**

*4878AT-TRF-AG, 650 LBS.
(H-20 TRAFFIC)
OR
4878AT-PKY-AG, 630 LBS.
(NON-TRAFFIC)

FOR COMPLETE DESIGN AND PRODUCT INFORMATION,
CONTACT JENSEN PRECAST.

Jensen Precast reserves the right to make changes to product design
and/or dimensions without notice. Please contact Jensen Precast whenever
necessary for confirmation or advice on product design.

