

35TA PULLBOX

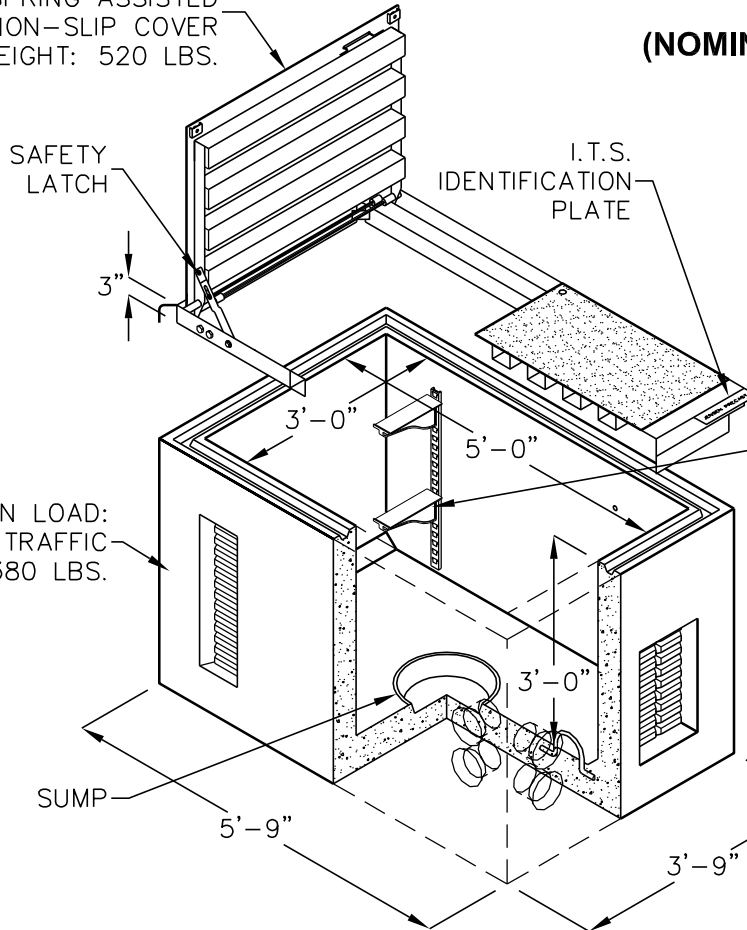
CITY OF FRESNO

I.T.S. VAULT 35

3'-0"x5'-0"x3'-0"

(NOMINAL INSIDE DIMENSIONS)

*3660AT-PKY TORSION
SPRING ASSISTED
NON-SLIP COVER
WEIGHT: 520 LBS.



* NOTE:
DESIGNED TO WITHSTAND
H-20 WHEEL LOADINGS,
SUITABLE FOR OFF-STREET
LOCATIONS WHERE NOT
SUBJECTED TO HIGH
DENSITY TRAFFIC.

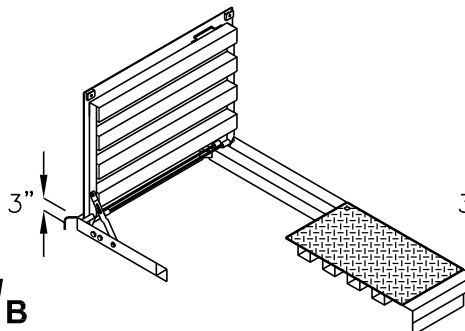
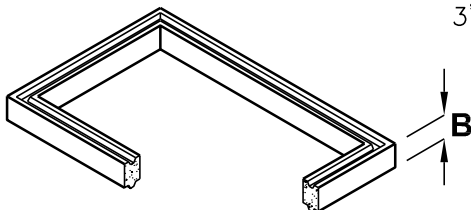
BOX DESIGN LOAD:
H-20 TRAFFIC
WEIGHT: 4380 LBS.

GALVANIZED STEEL
RACKING STEPS
PER CITY
OF FRESNO

3'-9"
MINIMUM
OUTSIDE
HEIGHT

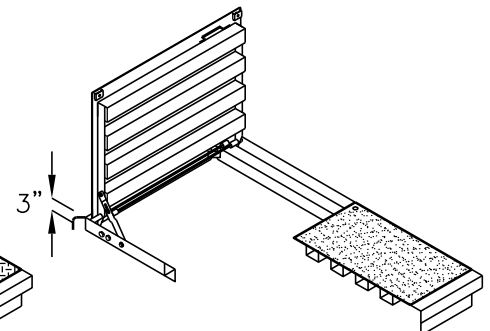
SUMP

OPTIONAL RISERS (EXTENSIONS)		
MODEL NO.	B	WEIGHT
35-R6	6"	420 LBS.
35-R12	12"	840 LBS.



**ADJUSTABLE TORSION SPRING
ASSISTED COVERS
(DIAMOND PLATE SURFACE)**

* 3660AT-TRF, 520 LBS.
(H-20 TRAFFIC)
OR
3660AT-PKY, 420 LBS.
(NON-TRAFFIC)



**ADJUSTABLE TORSION SPRING
ASSISTED COVERS
(NON-SLIP SURFACE)**

* 3660AT-TRF-AG, 510 LBS.
(H-20 TRAFFIC)
OR
3660AT-PKY-AG, 410 LBS.
(NON-TRAFFIC)

FOR COMPLETE DESIGN
AND PRODUCT INFORMATION
CONTACT JENSEN PRECAST.

Jensen Precast reserves the right to make changes to product design
and/or dimensions without notice. Please contact Jensen Precast whenever
necessary for confirmation or advice on product design.

