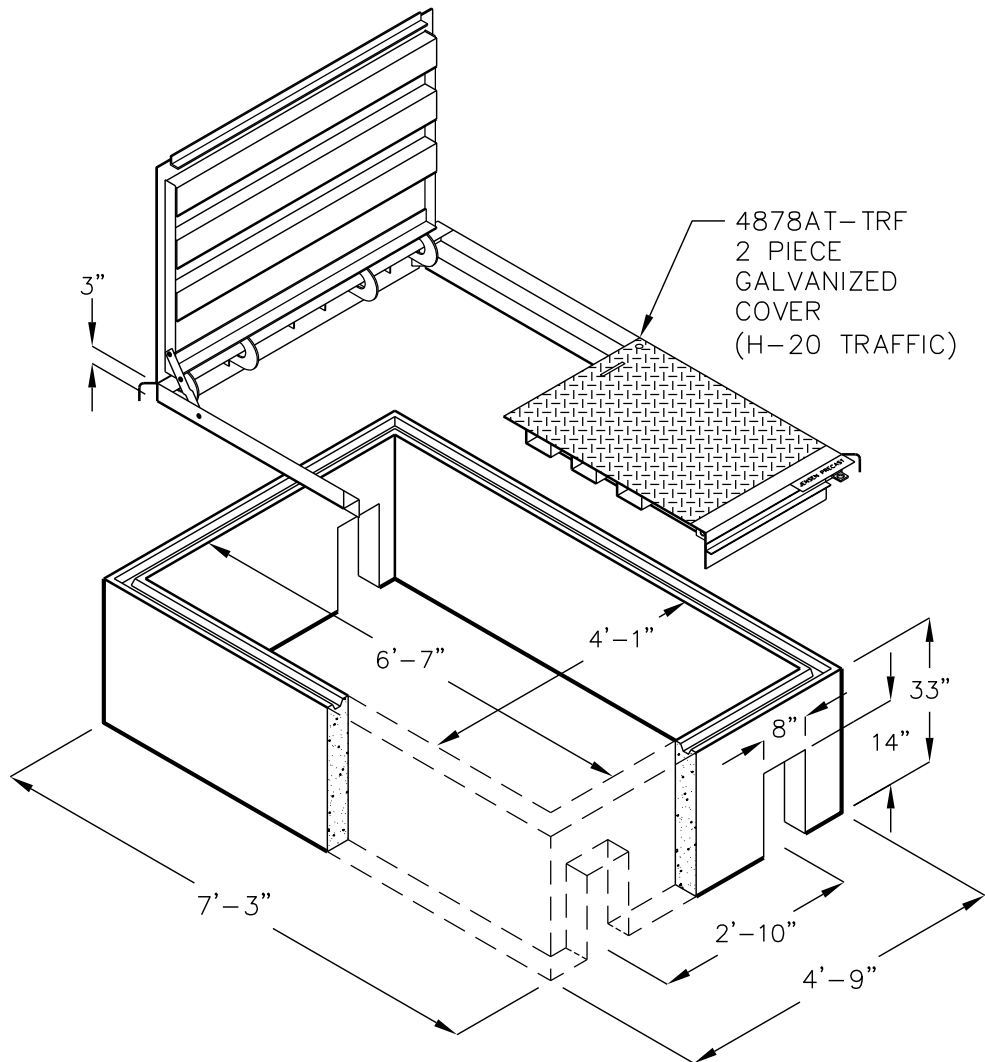


SWG 4878 REGULATOR VAULT

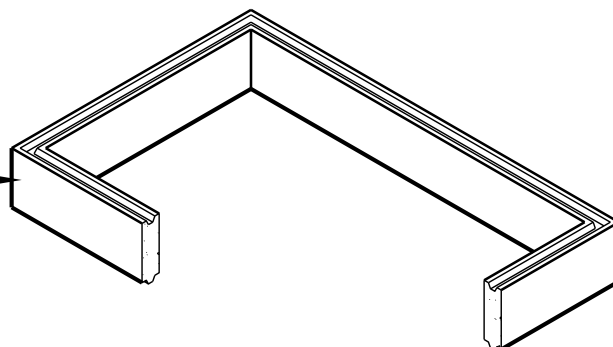
4'-1" x 6'-7" x 2'-9" I.D.



KNOCKOUTS, OPENINGS,
HARDWARE, ETC. PER
SOUTHWEST GAS
SPECIFICATIONS.

*NOTE:
H-20 WHEEL LOADINGS.
SUITABLE FOR USE IN
OFF-STREET LOCATIONS
WHERE NOT SUBJECTED
TO HIGH DENSITY
TRAFFIC.

OPTIONAL
6" OR 12"
RISERS



FOR COMPLETE DESIGN
AND PRODUCT INFORMATION
CONTACT JENSEN PRECAST.