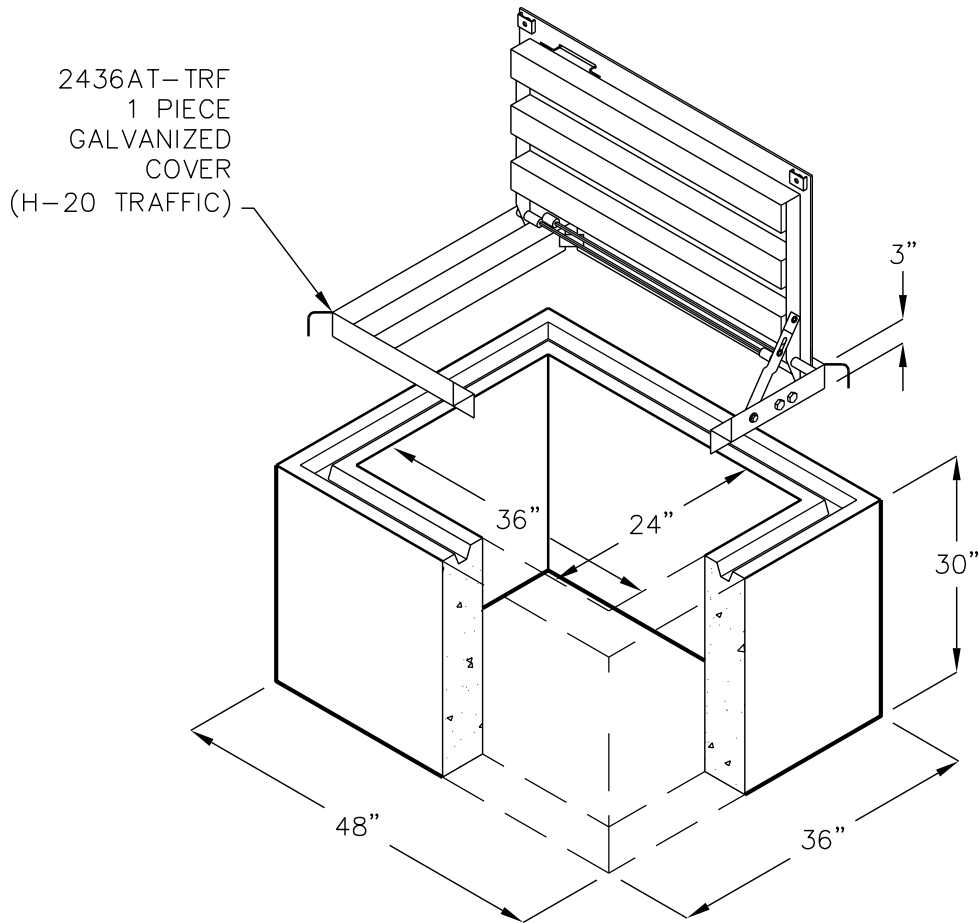


SWG 2436 REGULATOR VAULT

2'-0" x 3'-0" x 2'-3" I.D.



KNOCKOUTS, OPENINGS,
HARDWARE, ETC. PER
SOUTHWEST GAS
SPECIFICATIONS.

* NOTE: H-20 WHEEL
LOADINGS. SUITABLE FOR USE
IN OFF-STREET LOCATIONS
WHERE NOT SUBJECTED TO
HIGH DENSITY TRAFFIC.

FOR COMPLETE DESIGN
AND PRODUCT INFORMATION
CONTACT JENSEN PRECAST.

OPTIONAL
6" OR 12"
RISERS
AVAILABLE

