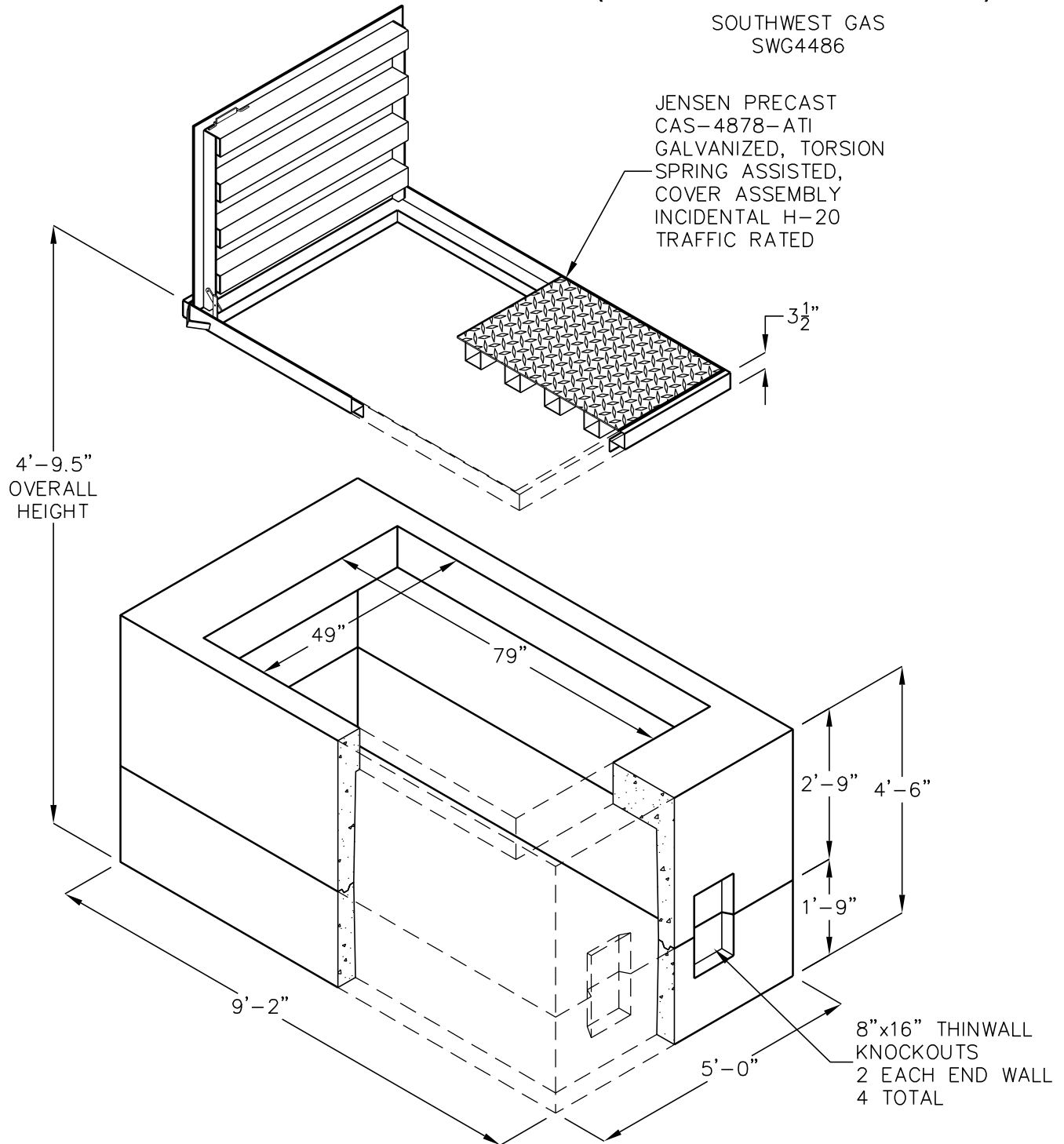


# SWG REGULATOR VAULT

4'-4"x8'-6"x3'-9"

(NOMINAL INSIDE DIMENSIONS)

SOUTHWEST GAS  
SWG4486



DESIGN LOAD: INCIDENTAL H-20 TRAFFIC SUITABLE FOR OFF STREET LOCATIONS AWAY FROM HIGH DENSITY TRAFFIC.

FOR COMPLETE DESIGN AND PRODUCT INFORMATION CONTACT JENSEN PRECAST.

Jensen Precast reserves the right to make changes to product design and/or dimensions without notice. Please contact Jensen Precast whenever necessary for confirmation or advice on product design.

