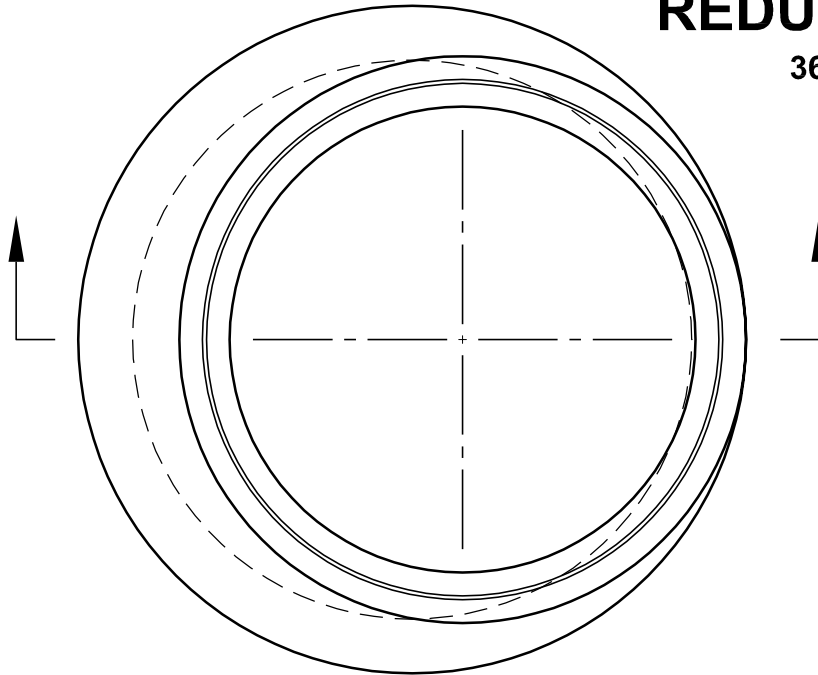
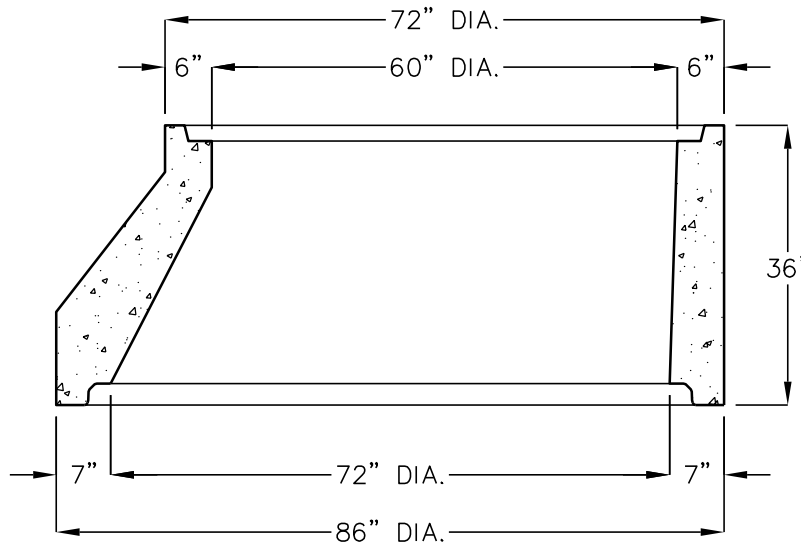


72" DIA. TO 60" DIA. ECCENTRIC REDUCER CONE

36" HEIGHT



PLAN VIEW



ELEVATION SECTION

CONFORMS TO ASTM C-478 AND AASHTO M199.

FOR COMPLETE DESIGN AND PRODUCT INFORMATION CONTACT JENSEN PRECAST.