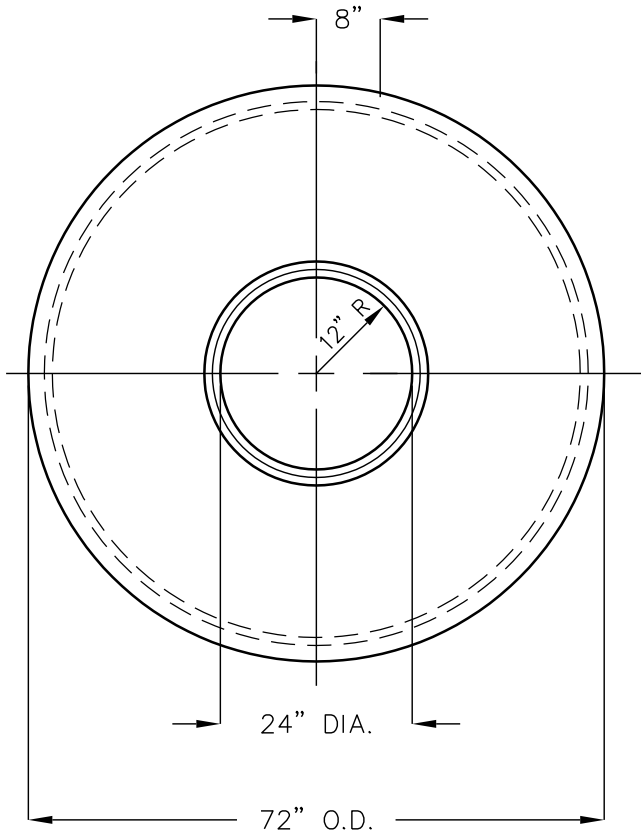
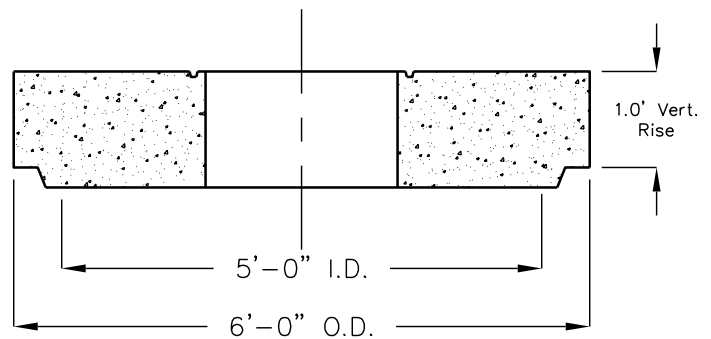


# 60" I.D. x 6" WALL FLAT TOP WITH 24" CONCENTRIC, ACCESS OPENING



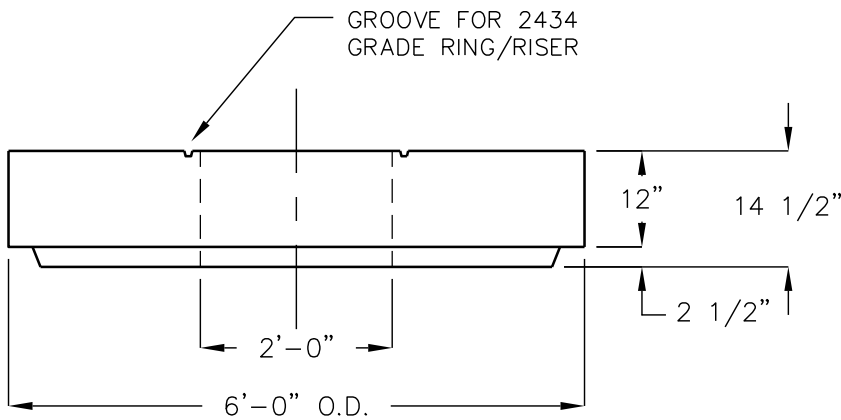
**TOP VIEW**



**SECTION**

	APPROX. WT.
6072FT-36E CON FLAT TOP	4500 LBS.

CONFORMS TO ASTM SPECS C-478  
and AASHTO No. M199.



**SIDE VIEW**

FLAT TOPS AND BASE SLABS  
ARE DESIGNED FOR AASHTO  
HS-20 WHEEL LOADING.

FOR COMPLETE DESIGN,  
AND PRODUCT INFORMATION  
CONTACT JENSEN PRECAST.