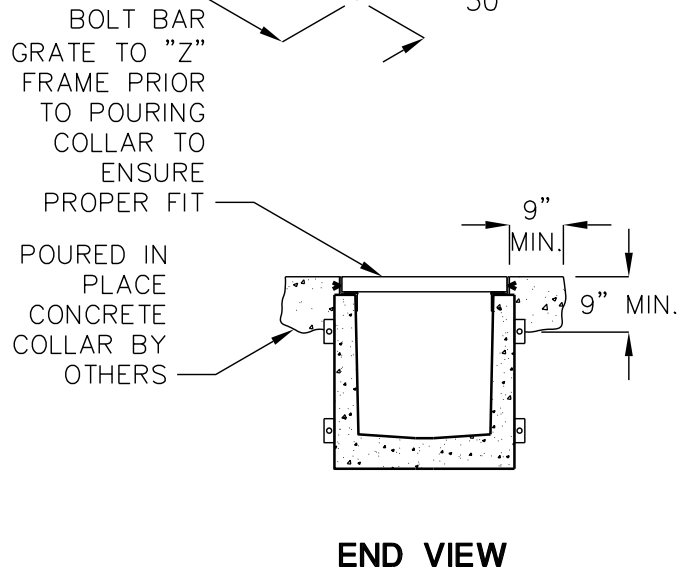
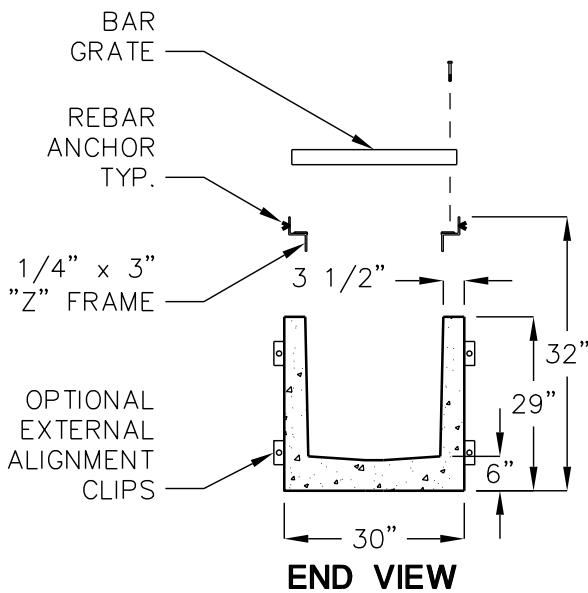
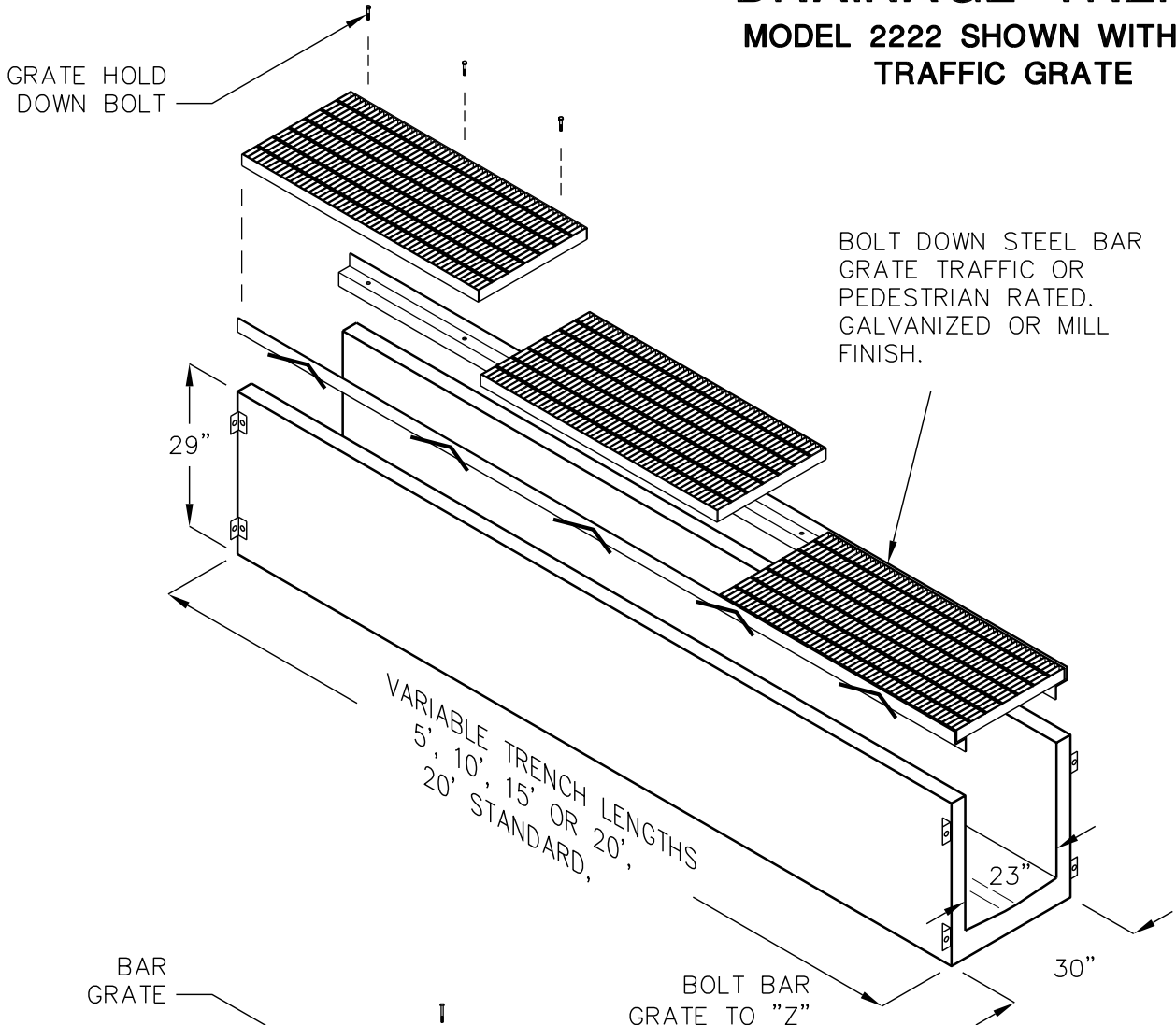


# DRAINAGE TRENCH

## MODEL 2222 SHOWN WITH H-20 TRAFFIC GRATE



FOR COMPLETE DESIGN AND PRODUCT INFORMATION CONTACT JENSEN PRECAST.