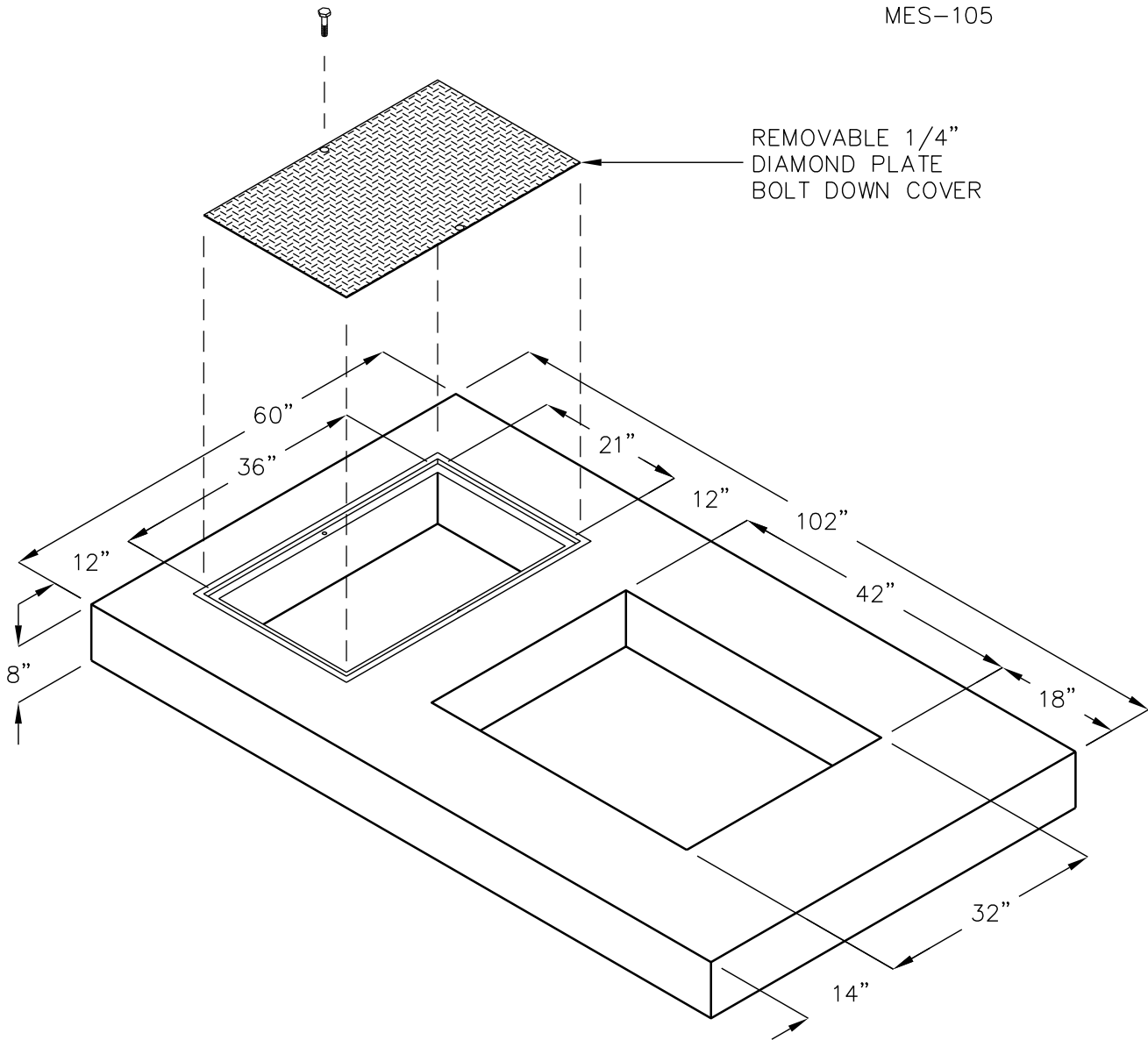


OVERTON POWER DISTRICT

USP-105 SWITCH PAD

FOR USE WITH
PADMOUNTED SWITCH
MES-105



REMOVABLE 1/4"
DIAMOND PLATE
BOLT DOWN COVER

FOR COMPLETE DESIGN
AND PRODUCT INFORMATION
CONTACT JENSEN PRECAST.