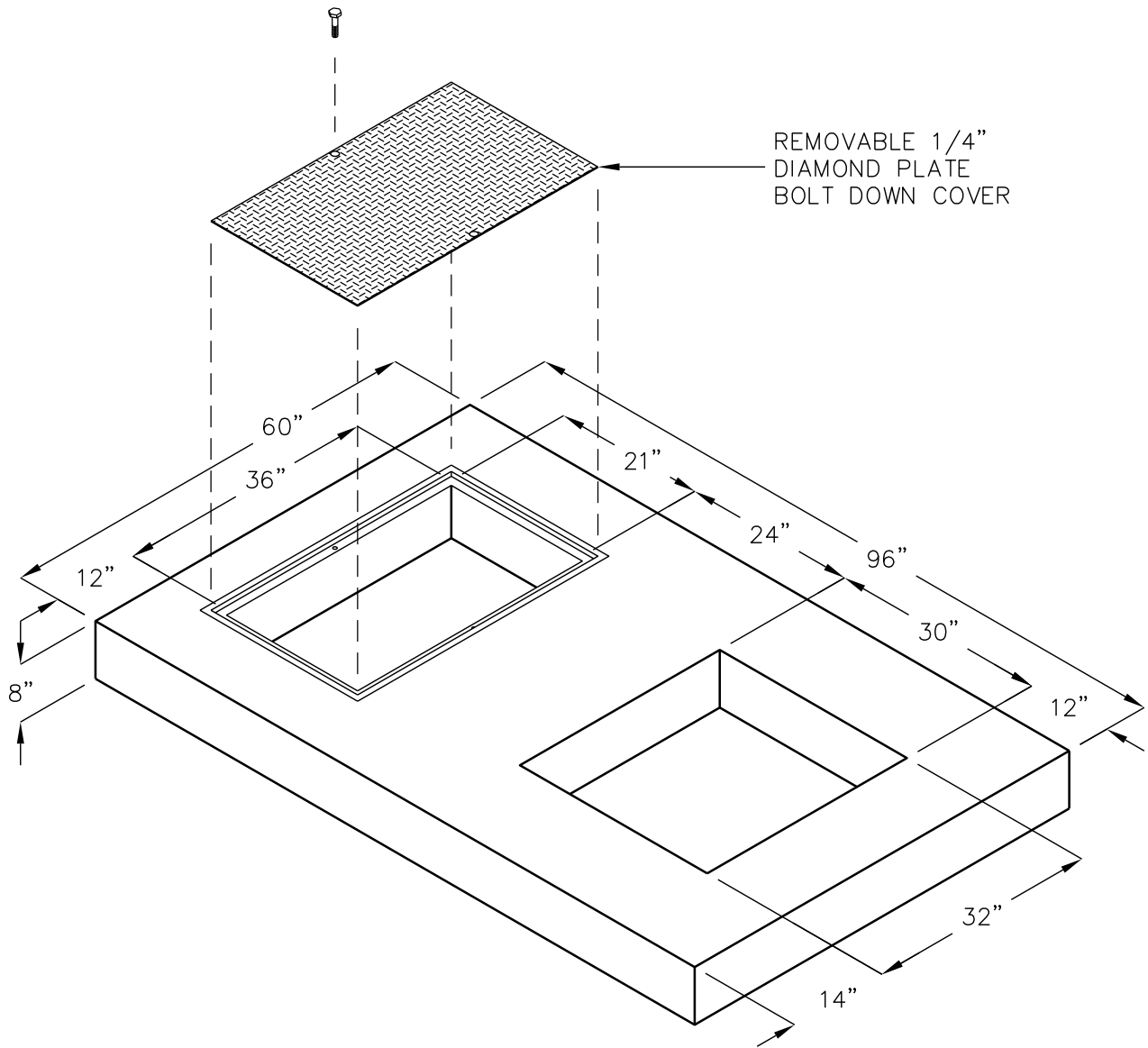


# OVERTON POWER DISTRICT

## USP-103 SWITCH PAD

FOR USE WITH  
PADMOUNTED SWITCH  
MES-103



FOR COMPLETE DESIGN  
AND PRODUCT INFORMATION  
CONTACT JENSEN PRECAST.