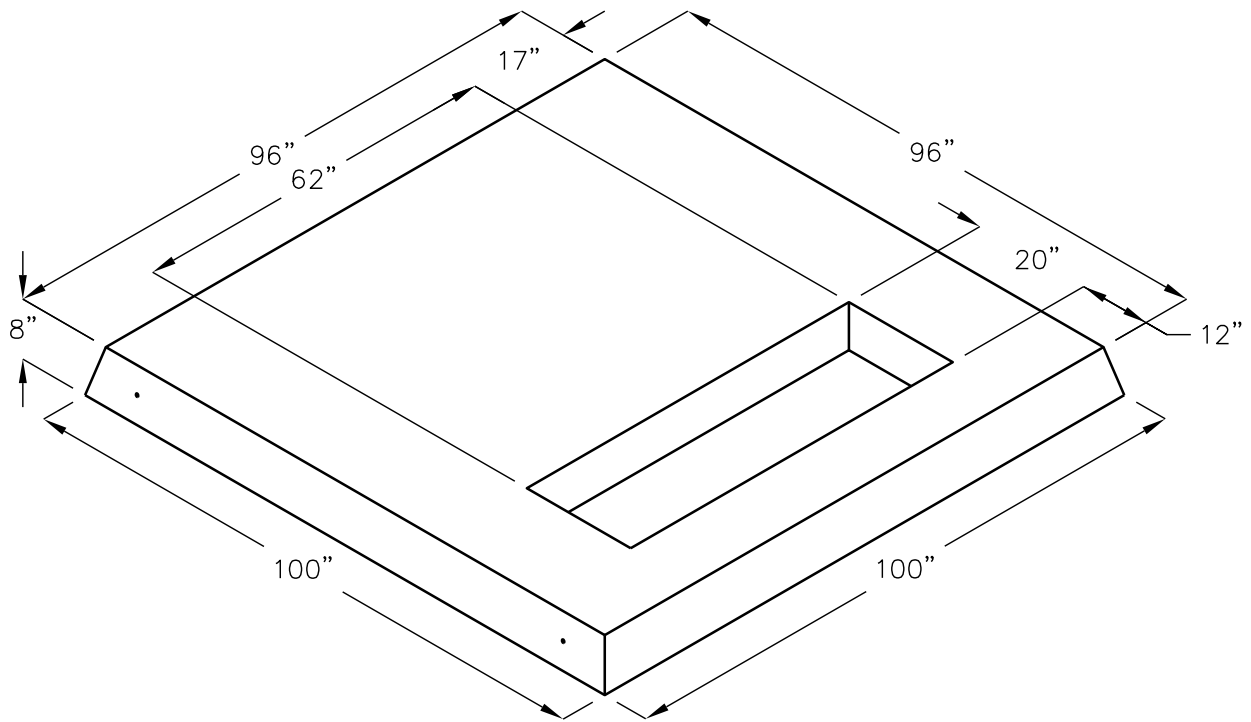


# OVERTON POWER DISTRICT

## UPAD 88 THREE PHASE TRANSFORMER



FOR COMPLETE DESIGN  
AND PRODUCT INFORMATION  
CONTACT JENSEN PRECAST.