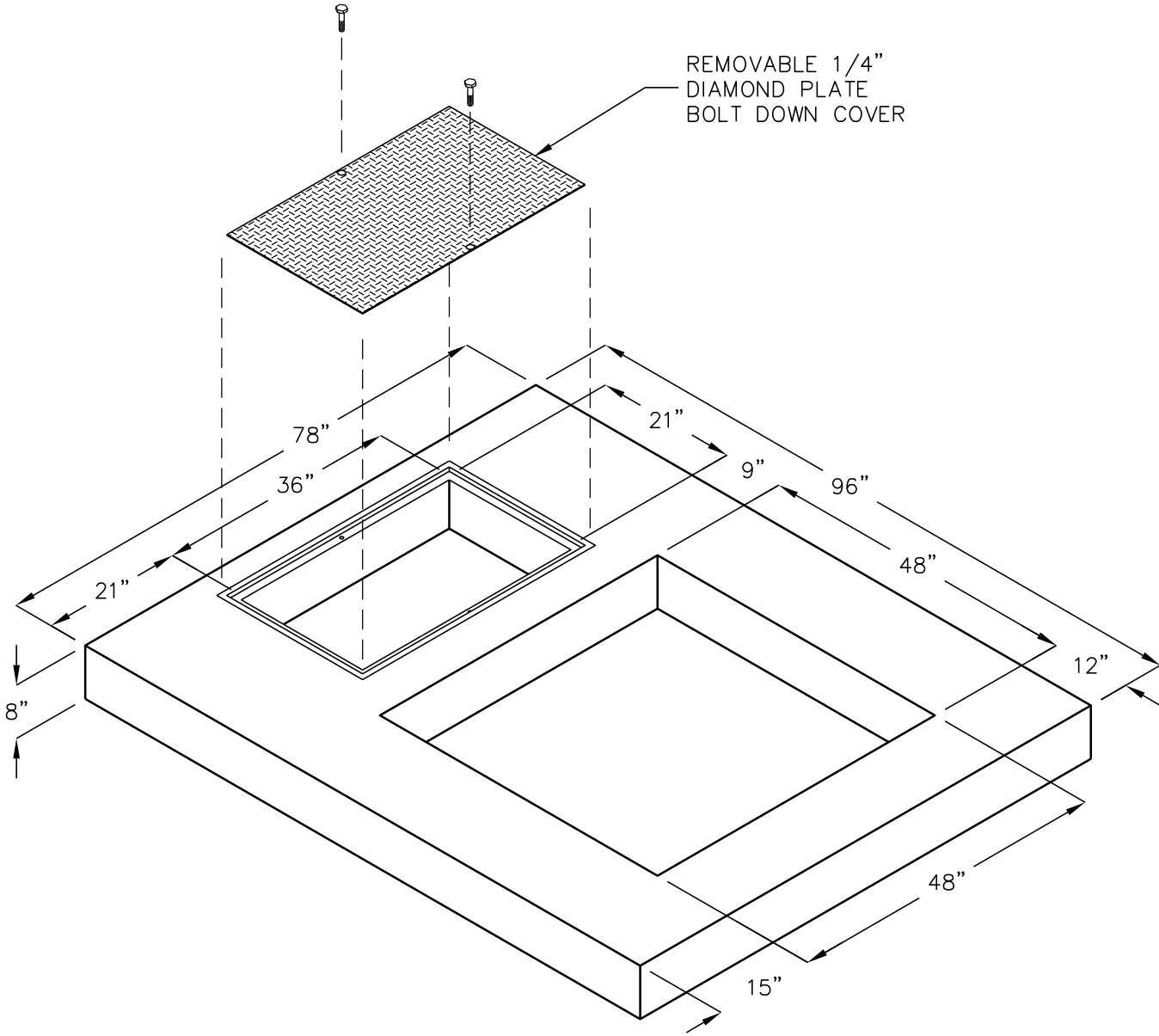


OVERTON POWER DISTRICT

USP 109-115 SWITCH PAD

FOR USE WITH PAD MOUNTED SWITCHES
MES-109 THROUGH MES-115



FOR COMPLETE DESIGN AND PRODUCT INFORMATION
CONTACT JENSEN PRECAST.