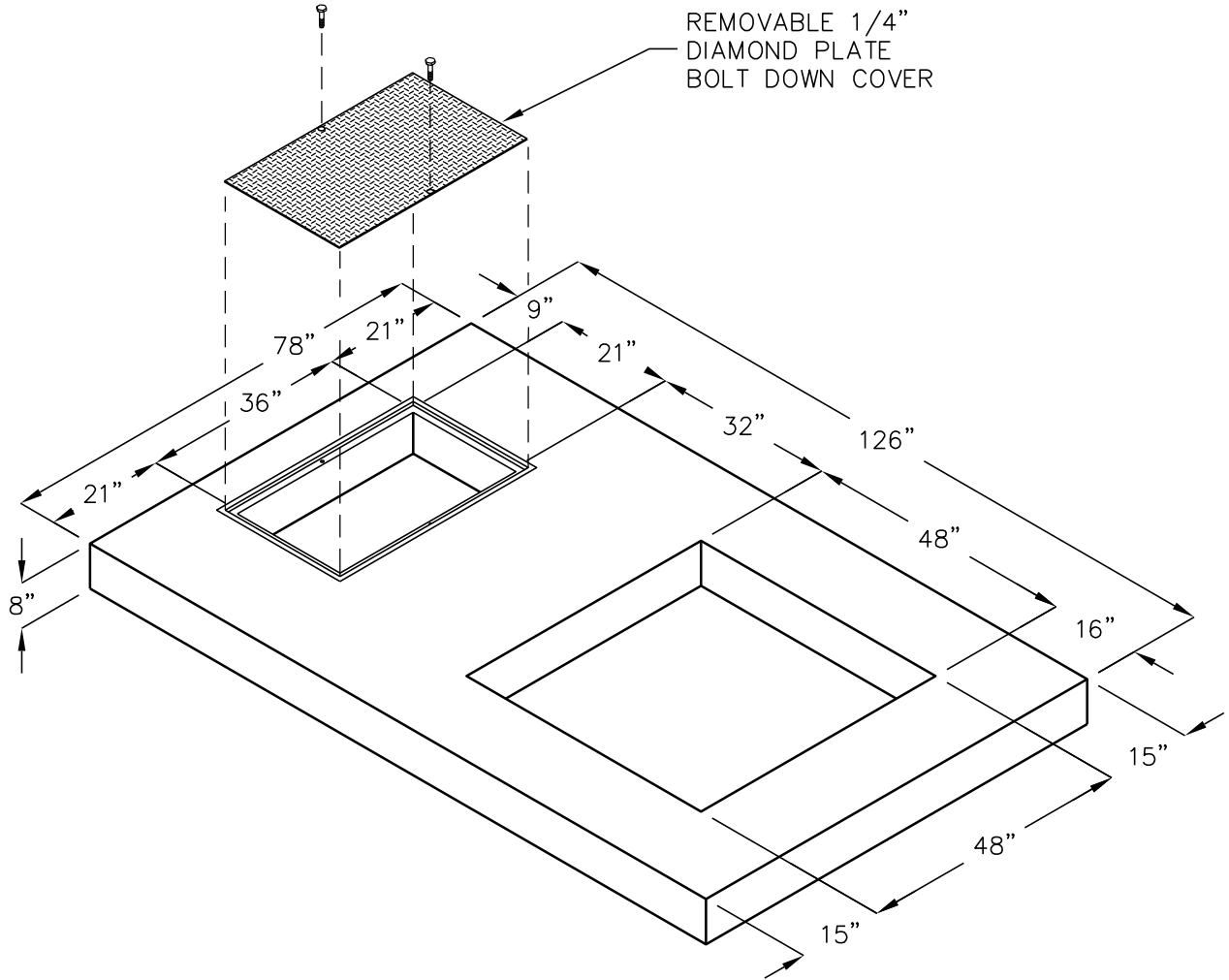


# OVERTON POWER DISTRICT

## OVERSIZE USP 109-115 SWITCH PAD

FOR USE WITH PAD MOUNTED SWITCHES  
MES-109 THROUGH MES-115



FOR COMPLETE DESIGN AND PRODUCT INFORMATION  
CONTACT JENSEN PRECAST.