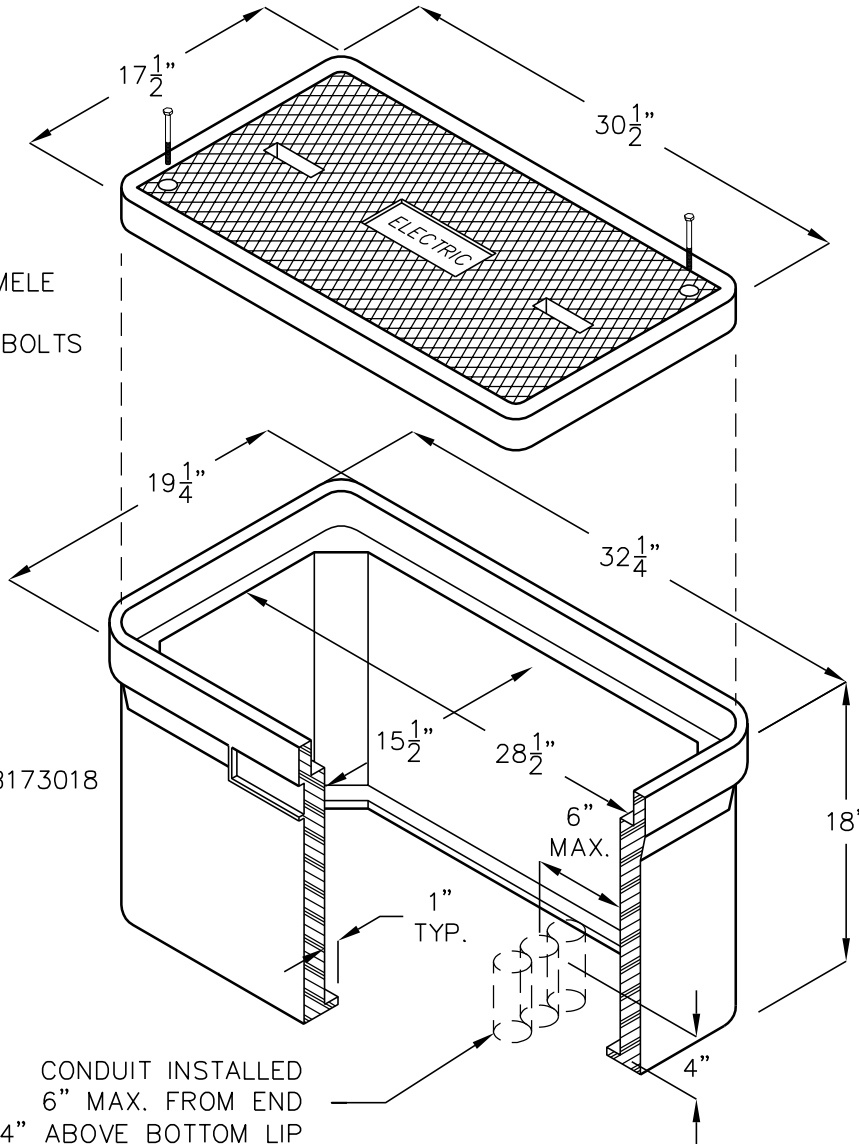


JRS-1 HANDHOLE

17" X 30" X 18" I.D.
(NOMINAL DIMENSIONS)

MEETS OVERTON
POWER HANDHOLE
SPECIFICATIONS

POLYMER LID
74 LBS.
STOCK # CYN36NMELE
WITH 1/2x3-1/2"
STAINLESS STEEL BOLTS
AND WASHERS



BOX 92 LBS.
STOCK # PCB173018

CONDUIT INSTALLED
6" MAX. FROM END
4" ABOVE BOTTOM LIP

LOAD RATING: 22,568# VERTICAL TEST LOAD OVER A
10" X 10" TEST AREA.

FOR USE IN SIDEWALKS, ROADWAY MEDIANS AND BEHIND
CURB LOCATIONS WHERE NO DELIBERATE VEHICULAR
TRAFFIC IS PLANNED.

FOR COMPLETE DESIGN AND PRODUCT INFORMATION,
CONTACT JENSEN PRECAST.

WHEN ORDERING:
STANDARD OVERTON POWER
RS1 KIT INCLUDES BOX & LID AS SHOWN.
ITEMS MAY BE ORDERED INDIVIDUALLY FOR
REPLACEMENT. REFER TO INDIVIDUAL
STOCK NUMBER WHEN ORDERING.