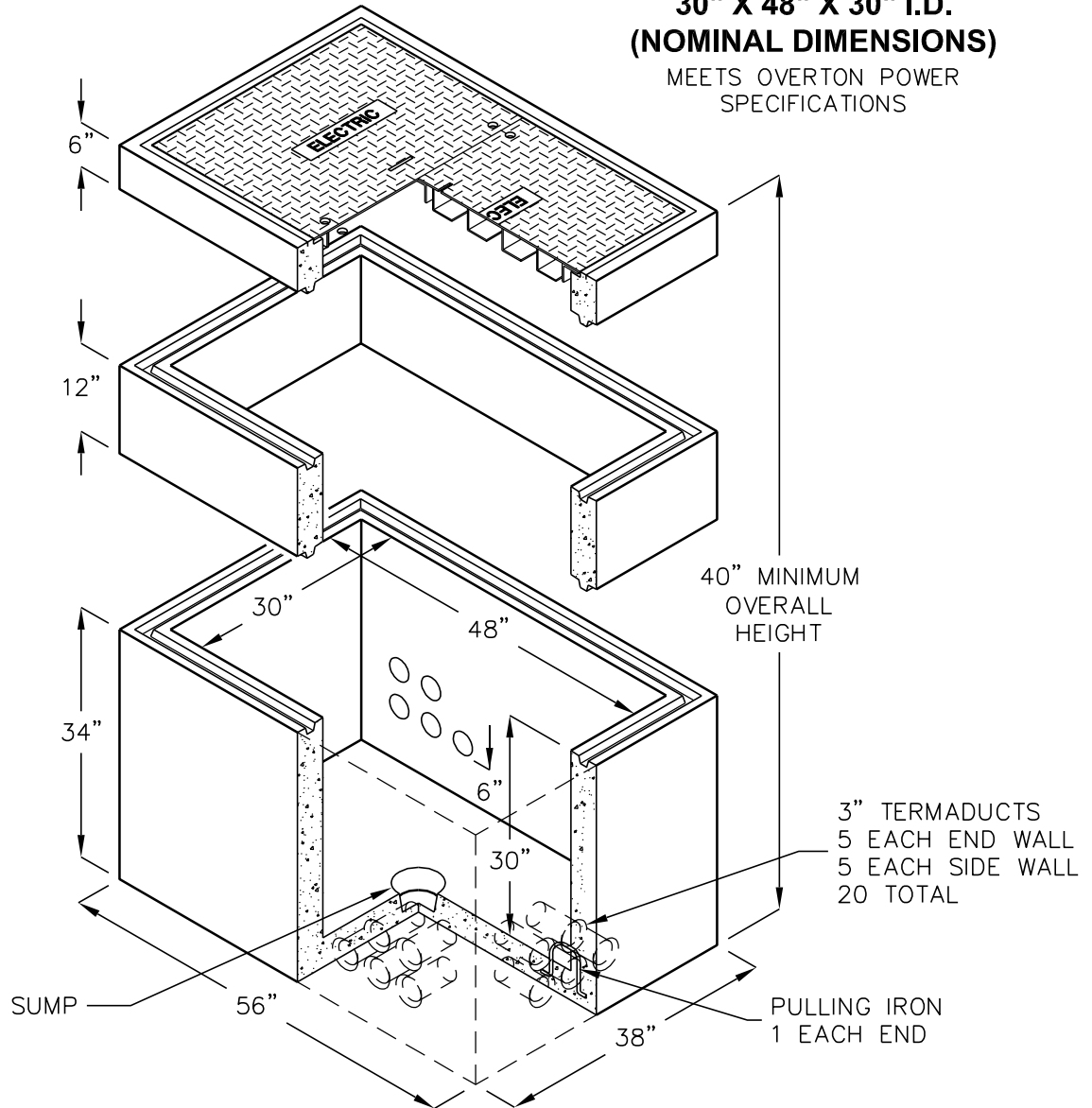


OPD 3048 VAULT

**30" X 48" X 30" I.D.
(NOMINAL DIMENSIONS)**

MEETS OVERTON POWER
SPECIFICATIONS



CATALOG NUMBER	PRODUCT	DESCRIPTION	APPROX. WEIGHT
PB3048TA	BOX	REINFORCED CONCRETE	2650 LBS.
CA3048C6I	COVER	BOLT DOWN INCIDENTAL H-20	560 LBS.
RS304806	RISER	6" HIGH REINFORCED CONCRETE	283 LBS.
RS304812	RISER	12" HIGH REINFORCED CONCRETE	567 LBS.

3048TA STANDARD OPTION POWER KIT INCLUDES: 3048 BOX, RS304812 RISER, 3048A TPNB OPD COVER.
ORDER OTHER COMPONENTS BY CATALOG NUMBER.

KNOCKOUTS, DUCT TERMINATORS, PULLING IRONS, ETC. PER CURRENT OVERTON POWER SPECIFICATIONS.

FOR COMPLETE DESIGN AND PRODUCT INFORMATION CONTACT JENSEN PRECAST.