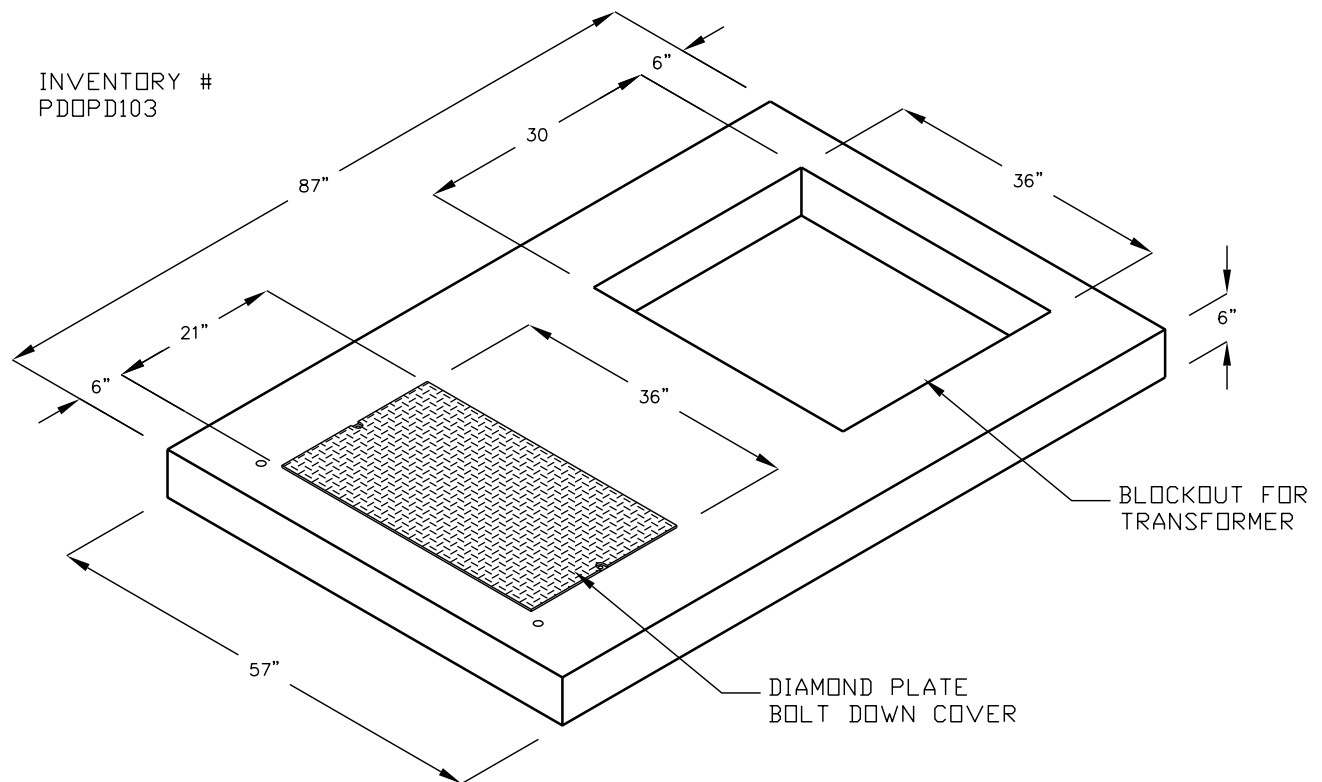


# OVERTON POWER DISTRICT TRANSFORMER PAD FOR MALTON MODEL 103



FOR COMPLETE DESIGN,  
AND PRODUCT INFORMATION  
CONTACT JENSEN PRECAST.