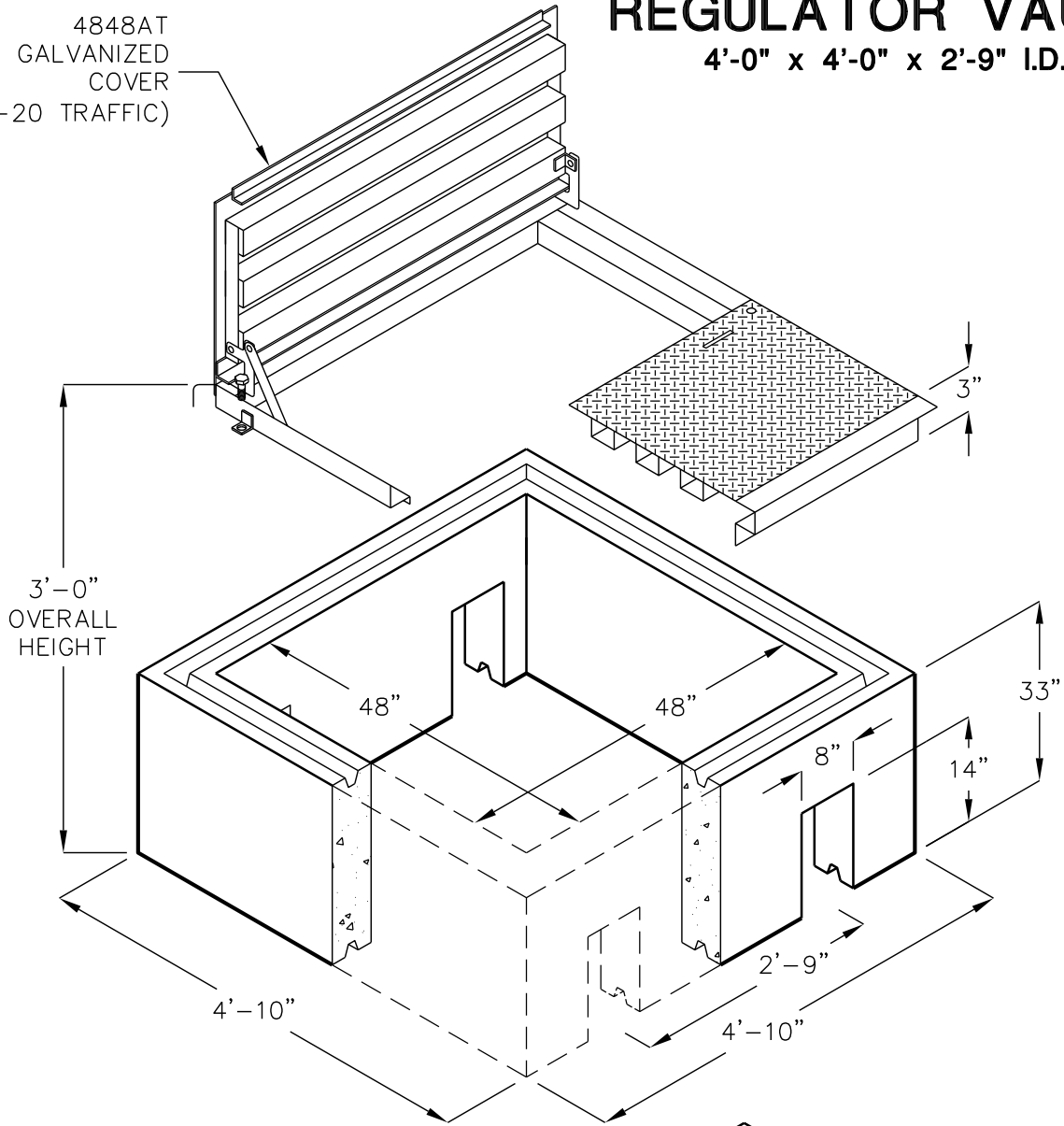


SWG 4848 REGULATOR VAULT

4'-0" x 4'-0" x 2'-9" I.D.

4848AT
GALVANIZED
COVER
(H-20 TRAFFIC)



KNOCKOUTS, OPENINGS, HARDWARE,
ETC. PER SOUTHWEST GAS
SPECIFICATIONS.

*NOTE:
H-20 WHEEL LOADINGS.
SUITABLE FOR USE IN
OFF-STREET LOCATIONS
WHERE NOT SUBJECTED
TO HIGH DENSITY
TRAFFIC.

FOR COMPLETE DESIGN
AND PRODUCT INFORMATION
CONTACT JENSEN PRECAST.

